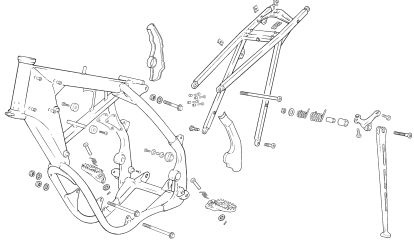
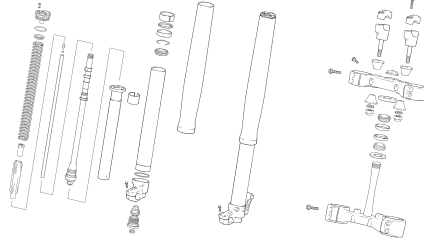
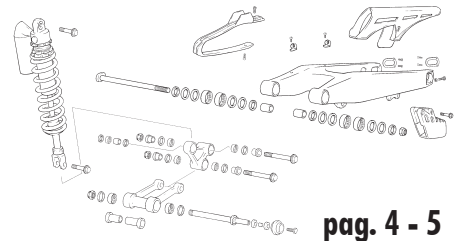
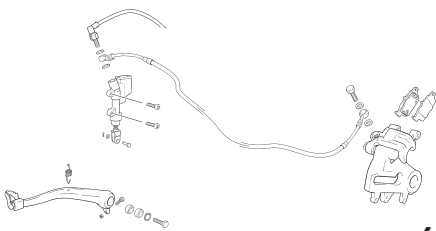
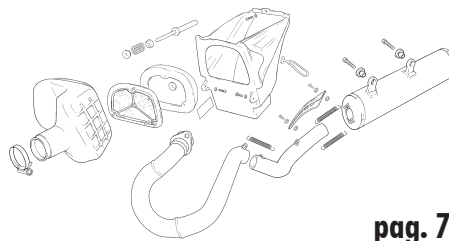
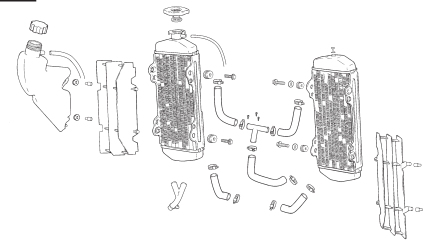
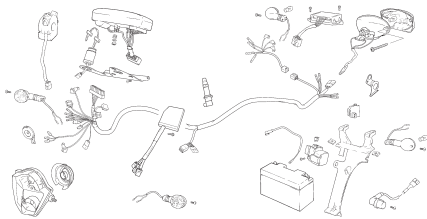
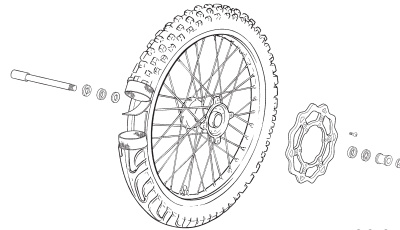
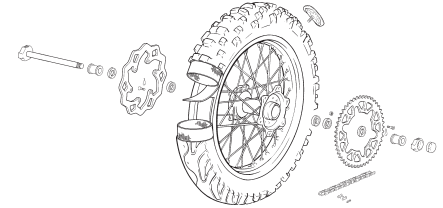
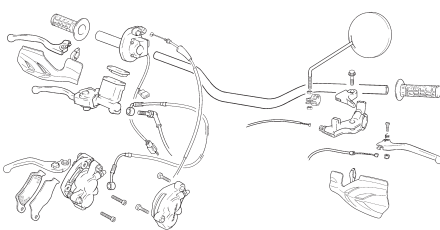
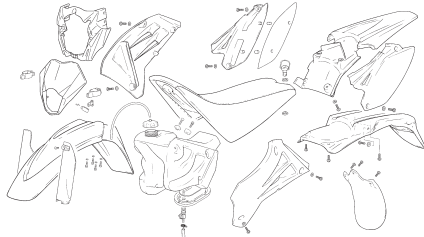
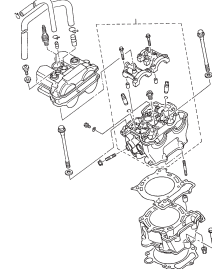
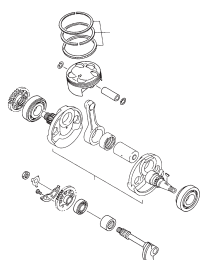
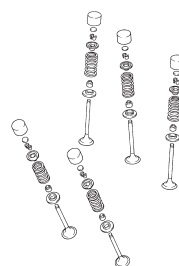
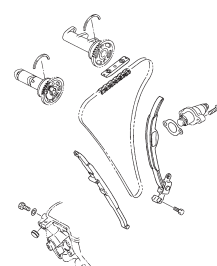


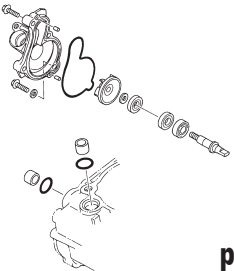
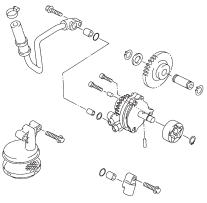
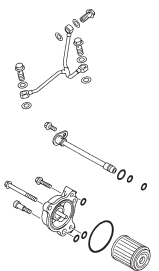
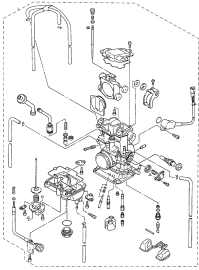
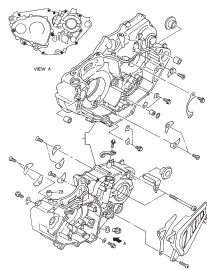
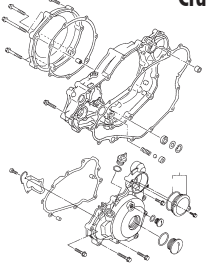
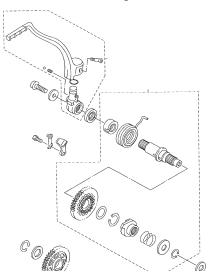
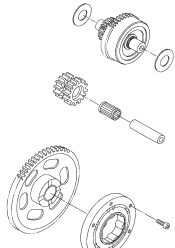
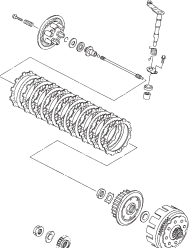
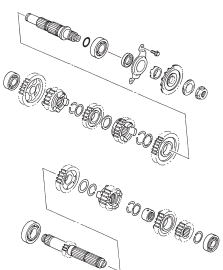
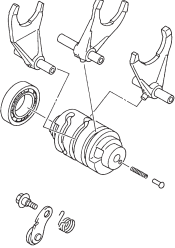
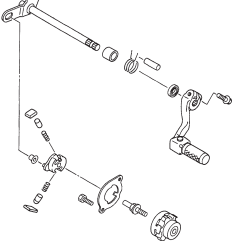
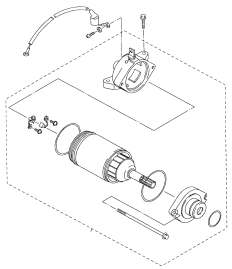
MARATHON 450

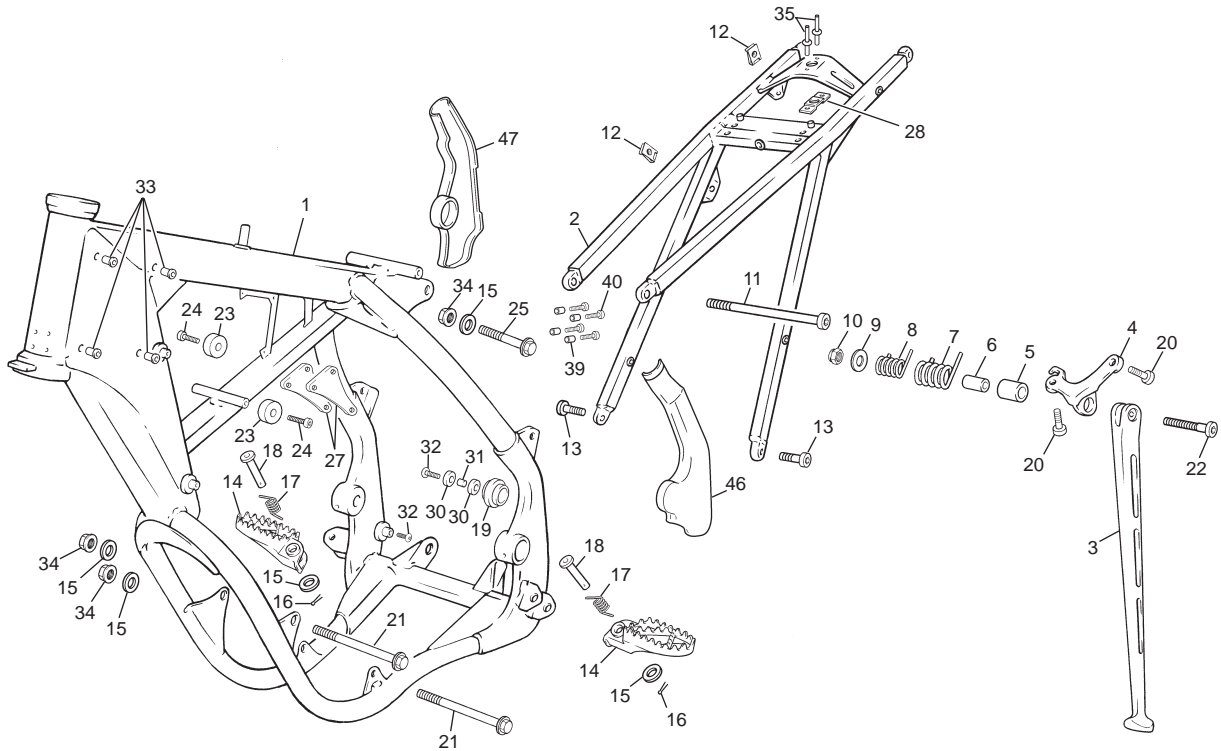
Catálogo de recambios



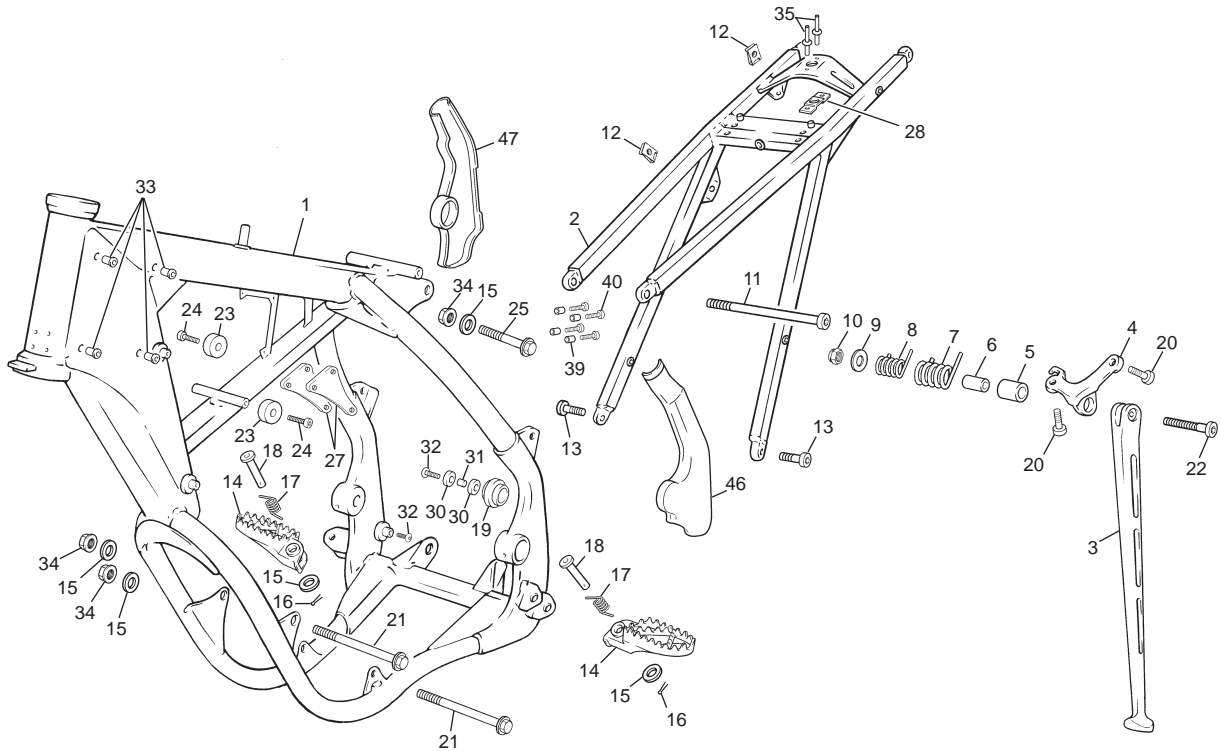

1 Chasis/ Cadre / Frame

pag. 1 - 2
2 Horquilla / Fourche / Fork

pag. 3
3 Amortiguador - Basculante / Amortisseur - Bras oscillant / Rear Shock - Swingarm

pag. 4 - 5
4 Freno delantero / Frein avant / Rear brake

pag. 6
5 Caja filtro - escape / Boite filtre - echapement Air filter box - exhaust system

pag. 7
6 Radiador / Radiateur / Radiator

pag. 8
7 Instalación eléctrica / Faisceau électrique / Electrical system

pag. 9
8 Rueda delantera / Roue avant / Front wheel

pag. 10
9 Rueda trasera / Roue arriere / Rear wheel

pag. 11
10 Manillar / Guidon / Handlebar

pag. 12
11 Plásticos / Plastiques / Plastics

pag. 13-14
12 Cilindro / Cylindre / Cylinder

pag. 15
13 Cigüeñal / Vilebrequin / Crankshaft

pag. 16
14 Válvula / Valve / Soupape

pag. 17
15 Cadena distribución / chaîne distribution / Chain distr.

pag. 18



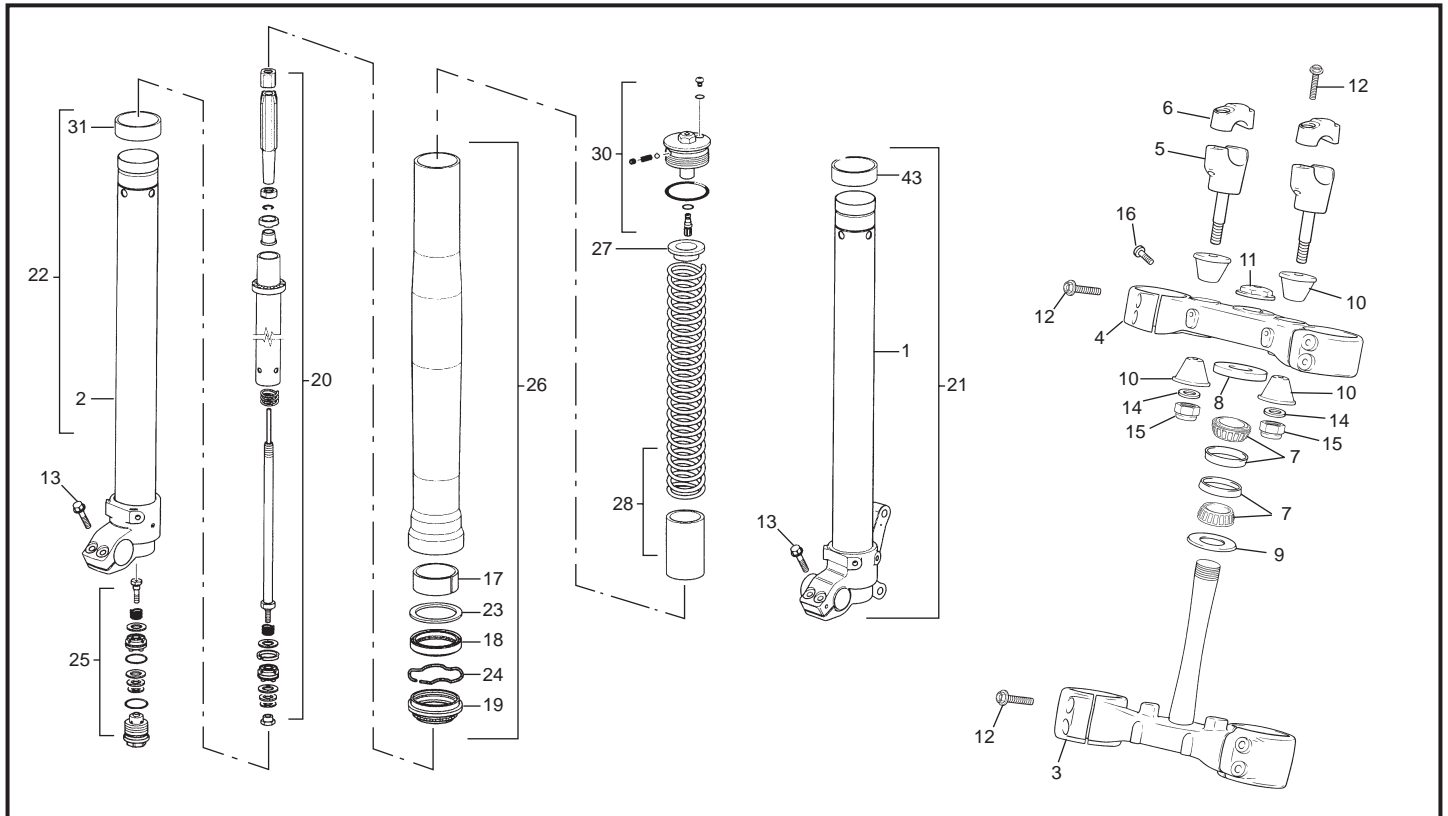
16 Bomba agua / Pompe a eau / Water pump  pag. 19	17 Bomba aceite / Pompe huile / Oil pump  pag. 20	18 Elemento filtrante / Elements filtrant / Oil cleaner  pag. 21
19 Carburador / Carburateur / Carburetor  pag. 22	20 Juego carter / Jeu carter / Crankcase  pag. 23	21 Tapa carter / Couvercle volant / Crankcase cover I  pag. 24
22 Pedal arranque / Starter / Kick starter  pag. 25	23 Embrague arranque / Demarreur d'embrayage / Starter clutch  pag. 26	24 Embrague / Disque embrayage / Clutch  pag. 27
25 Cambio / Trasmision / Transmission  pag. 28	26 Preselector / Arbre preselecteur / Shift cam  pag. 29	27 Selector / Axe selecteur / Shift shaft  pag. 30
28 Motor de arranque / Demarreur / Motor assy  pag. 31		



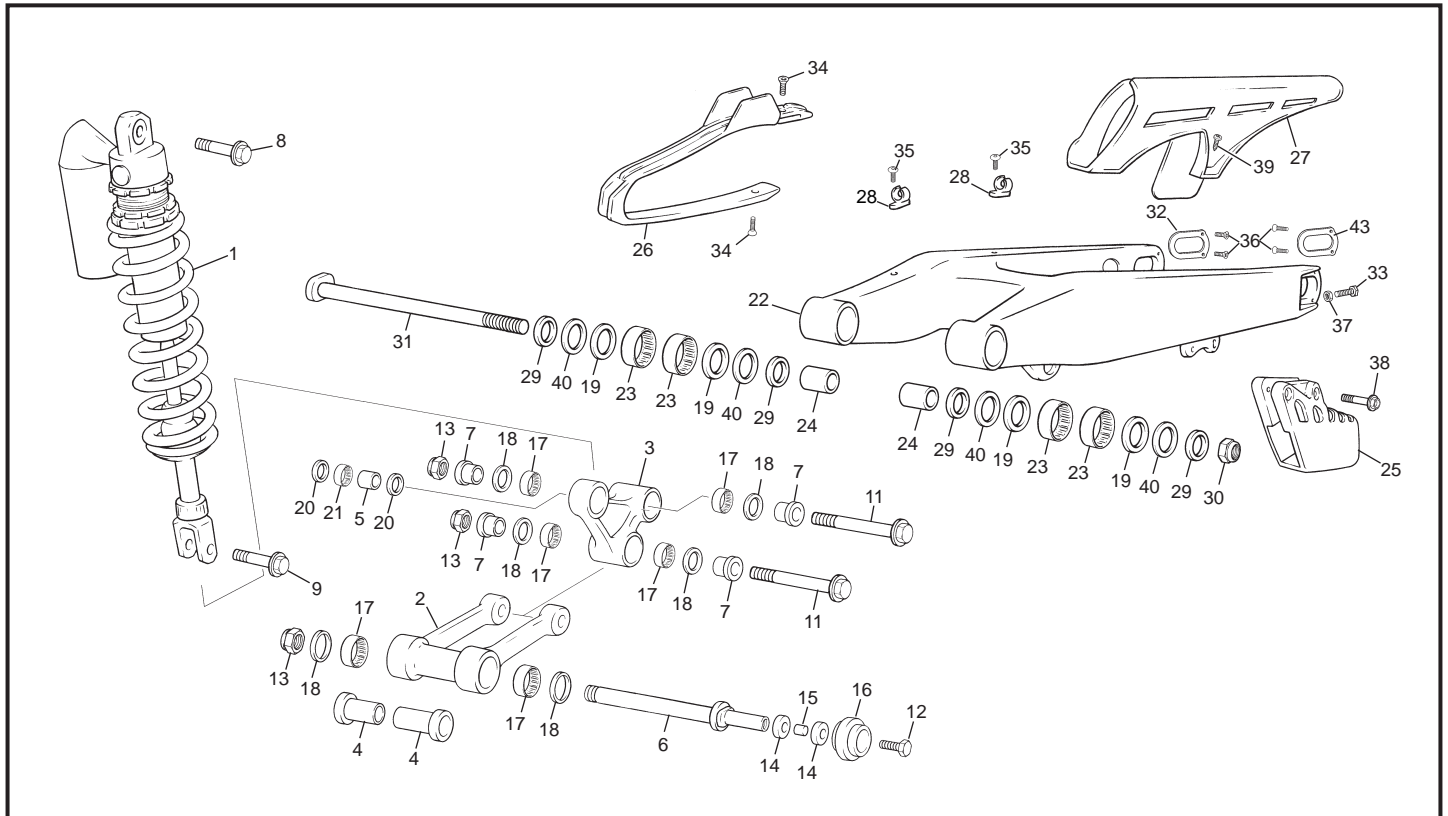
POS.	REE.	ESPAÑOL	FRANÇAIS	ENGLISH
1	0/000.010.9000	CHASIS	CADRE	FRAME
2	0/000.010.9001	CHASIS PARTE TRASERA	BERCEAU ARRIERE	REAR SUB FRAME
3	0/000.210.9000	CABALLETE ALUMINIO	BEQUILLE ALU	SIDE STAND ALU
4	0/000.980.9002	SOPORTE CABALLETE	SUPPORT DE BEQUILLE	STAND HOLDER
5	0/000.480.9005	CASQUILLO CABALLETE	ENTRETOISE RESSORT BEQUILLE	STAND SPACER E
6	0/000.480.9008	CASQUILLO INT. CABALLETE	ENTRETOISE INT BEQUILLE	SPACER INT STAND
7	0/000.470.9001	MUELLE CABALLETE EXT.	RESSORT BEQUILLE EXT	SPRING STAND EXT
8	0/000.470.9002	MUELLE CABALLETE INT.	RESSORT DE BEQUILLE INT	STAND SPRING INT
9	0/000.440.9000	ARANDELA 10X30X2.5 DIN 9021	RONDELLE 10 X 30 X 2.5	WASHER 10X30X2.5
10	0/000.340.9009	TUERCA NYLSTOP M10	ECROU NYLSTOP M10 0368.10	NUT NYLSTOP M10
11	0/000.460.9026	TORNILLO M8 X 124	VIS CHC M8 X 124 BERCEAU ARR	SCREW BHCM 8X124
12	0/000.340.9002	TUERCA CLIP M6	ECROU CLIP M6	NUT CLIP M6
13	0/000.460.9057	TORNILLO ULS CON VALONA M8 X 16	VIS CHC EPAULE M8 X 16	SCREW BHCM8X 16
14	0/000.740.9000	JUEGO ESTRIBERAS INOX PILOTO	JEU ESTRIBERAS INOX PILOTE	PILOT GAME ESTRIBERAS INOX
15	0/000.440.9013	ARANDELA DIAM 10 X 1.5 DIN 125 A	RON. DIAM 10 X 1.5 AXE REPOSE PIED	WASHER DIAM 10X1.5
16	0/000.840.9003	PASADOR DIN 94 3.2X20	GOUPILLE 3.2X20	COTTER
17	0/000.470.9005	MUELLE ESTRIBERA	RESSORT REPOSE PIED	FOOT REST PIN
18	0/000.190.9005	EJE ESTRIBERA	AXE REPOSE PIED	FOOT REST AXEL
19	0/000.360.9002	RODILLO CADENA	GALET DE CHAINE	CHAIN GUIDE ROLLER
20	0/000.460.9027	TORNILLO M8X16	VIS CHC 8X16	SCREW CHC 8X16
21	0/000.190.9006	EJE MOTOR 10 X 120	AXE MOTEUR 10X120	ENGINE MOUNTING BOLT
22	0/000.460.9016	TORNILLO CABALLETE	VIS BEQUILLE	STAND SCREW
23	0/000.360.9004	TOPE GOMA DEPÓSITO	BUTEE PLASTIQUE RESERVOIR	RUBBER TANK HOLDER
24	0/000.460.9034	TORNILLO TH EP 6X20	VIS TH EP 6 X 20	SCREW TH EP 6 X 20
25	0/000.190.9010	TORNILLO EJE M10X170	BOLT FLANGE M10X170	VIS AXE M10X170
27	0/000.660.9001	PLATINA FIJACIÓN CULATA	PLATINA FIXATION CULASSE	PLATINA FIXATION BUTT
28	0/000.570.9008	RECEPTACULO DZUS	PLAQUE DZUS	PLAQUE DZUS
30	0/000.960.9000	RODAMIENTO 22X8X7	ROULEMENT 22 X 8 X 7	BEARING 22 X 8 X 7
31	0/000.480.9012	CASQUILLO RODILLO CADENA	DOUILLE GALET CHAINE	SPACER
32	0/000.460.9056	TORNILLO THEPM8X30	VIS TH EP M8 X 30	SCREW TH EP M8 X 30
33	0/000.460.9061	INJERTO WELL NUT	INSERT WELL NUT	INSERT WELL NUT
34	0/000.340.9008	TUERCA NYLSTOP CON VALONA M10	ECROU NYLSTOP EPAULE M10	NUT NYLSTOP M10
35	0/000.460.9062	REMACHE 3X10	RIVET 3X10	RIVET 3X10
39	0/000.480.9022	CENTRADOR 8X6X11	DOUILLES CENTRAGE 8X6X11	SPACER CENTRAGE 8X6X11



POS.	REF.	ESPAÑOL	FRANÇAIS	ENGLISH
40	0/000.460.9004	TORNILLO 6X16	VIS CHC 6X16 0084	SCREW CHCH 6X16
46	0/000.980.9003	PROTECTOR CUADRO IZQUIERDO	PROTECTEUR CADRE GAUCHE	LEFT FRAME PROTECTOR
47	0/000.980.9018	PROTECTOR CUADRO DERECHO	PROTECTEUR CADRE DROITE	RIGHT FRAME PROTECTOR



POS.	REF.	ESPAÑOL	FRANÇAIS	ENGLISH
1	0/000.640.9000	BARRA HORQUILLA DERECHA	JAMBE DROITE CPL	RIGHT FORK LEG
2	0/000.640.9001	BARRA HORQUILLA IZQUIERDA	JAMBE FOURCHE GAUCHE CPL	LEFT FORK LEG
3	0/000.660.9010	PLATINA INF. HORQUILLA AZUL ANT.	T FOURCHE INF. BLEU ANTHRACITE	BOTTON PLAT FORK BLUE ANTHRACITE
4	0/000.660.9003	PLATINA SUP. HORQUILLA AZUL ANT.	T FOURCHE SUP. BLEU ANTHRACITE	UPPER PLAT FORK BLUE ANTHRACITE
5	0/000.350.9002	BRIDA MANILLAR INF. AZUL ANTHRACITE	BRIDE GUIDON INF. BLEU ANTHRACITE	HANDLEBAR LOWER BOTTON BLUE ANT.
6	0/000.350.9006	BRIDA MANILLAR SUP. AZUL ANTHRACITE	BRIDE GUIDON SUP. BLEU ANTHRACITE	HANDLEBAR HOLDER UPPER BLUE ANT.
7	0/000.960.9006	RODAMIENTO DIRECCIÓN 320/28X/Q	ROULEMENT DIRECTION 320/28X/Q	BEARING 320/28X/Q
8	0/000.220.9006	PROTECTOR COJINETE DIRECCIÓN	PROTECTEUR SUP COLONNE DIRECTION	BEARING SHIELD
9	0/000.200.9002	JUNTA DIRECCIÓN INF.	JOINT DIRECTION INF	SEAL
10	0/000.480.9009	CASQUILLO INTERIOR ALUMINIO	ENTRETOISE ALUMINIUM	SPACER ALUMINIUM
11	0/000.340.9004	TUERCA EJE DIRECCIÓN	ECROU PIVOT DIRECTION	STEERING SHAFT NUT
12	0/000.460.9053	TORNILLO THEP M8 X 40	VIS TH EP M8 X 40	TRIPLE CLAMP SCREWS
13	0/000.460.9049	TORNILLO THEP 6X30	VIS TH EP 6 X 30	SCREW TH EP 6 X 30
14	0/000.440.9014	ARANDELA DIAM 10 X 1.5 DIN 125 A	RONDELLE DIAM 10 X 1.5	WASHER DIAM 10X1.5
15	0/000.340.9010	TUERCA NYLSTOP M10	ECROU NYLSTOP M10	NUT NYLSTOP M10
16	0/000.460.9054	TORNILLO THEP M8X 30	VIS TH EP M8 X 30	SCREW TH EP M8 X 30
17	0/000.480.9018	CASQUILLO TEFLÓN	GLACIER DU	SPACER
18	0/000.890.9000	RETÉN	JOINT SPIE 450	FORK OIL SEAL
19	0/000.200.9000	GUARDAPOLVO	CACHE POUSSIENE	DUST SEAL
20	0/000.290.9015	GRUPO HIDRÁULICO	GROUPE HYDRAULIQUE	HYDRAULIC GROUP
21	0/000.290.9013	GRUPO TUBO IZQUIERDO	GROUPE TUBE GAUCHE	FORK TUBE LEFT
22	0/000.290.9012	GRUPO TUBO DERECHO	GROUPE TUBE DROITE	FORK TUBE RIGHT
23	0/000.440.9019	ARANDELA RETÉN	RONDELLE JOINT SPIE	SEAL WASHER
24	0/000.340.9018	SEEGER RETÉN	SERGER JOINT SPIE	SEAL CLIP
25	0/000.880.9001	GRUPO REGULACIÓN COMPRESIÓN	GROUPE REGULATEUR COMPRESION	REGULATION COMPRES. GROUP
26	0/000.880.9000	GRUPO BARRA	GROUPE JAMBE	SIDE FORK ASSEMBLY
27	0/000.440.9010	ARANDELA APOYO MUELLE	RONDELLE APUI RESSORT	PLASTIC SPACER FOR SPRING
28	0/000.470.9006	MUELLE HORQUILLA	RESSORT FOURCHE	FORK SPRING
29	0/000.640.9007	KIT RETENES	KIT JOINTS	KIT REPAIR FORK OIL SEAL
30	0/000.410.9005	GRUPO TAPÓN BARRAS	GROUPE BOUCHON JAMBES	FORK CAP
31	0/000.290.9014	RASCADOR DU	DU JAMBE	DU FRICTION

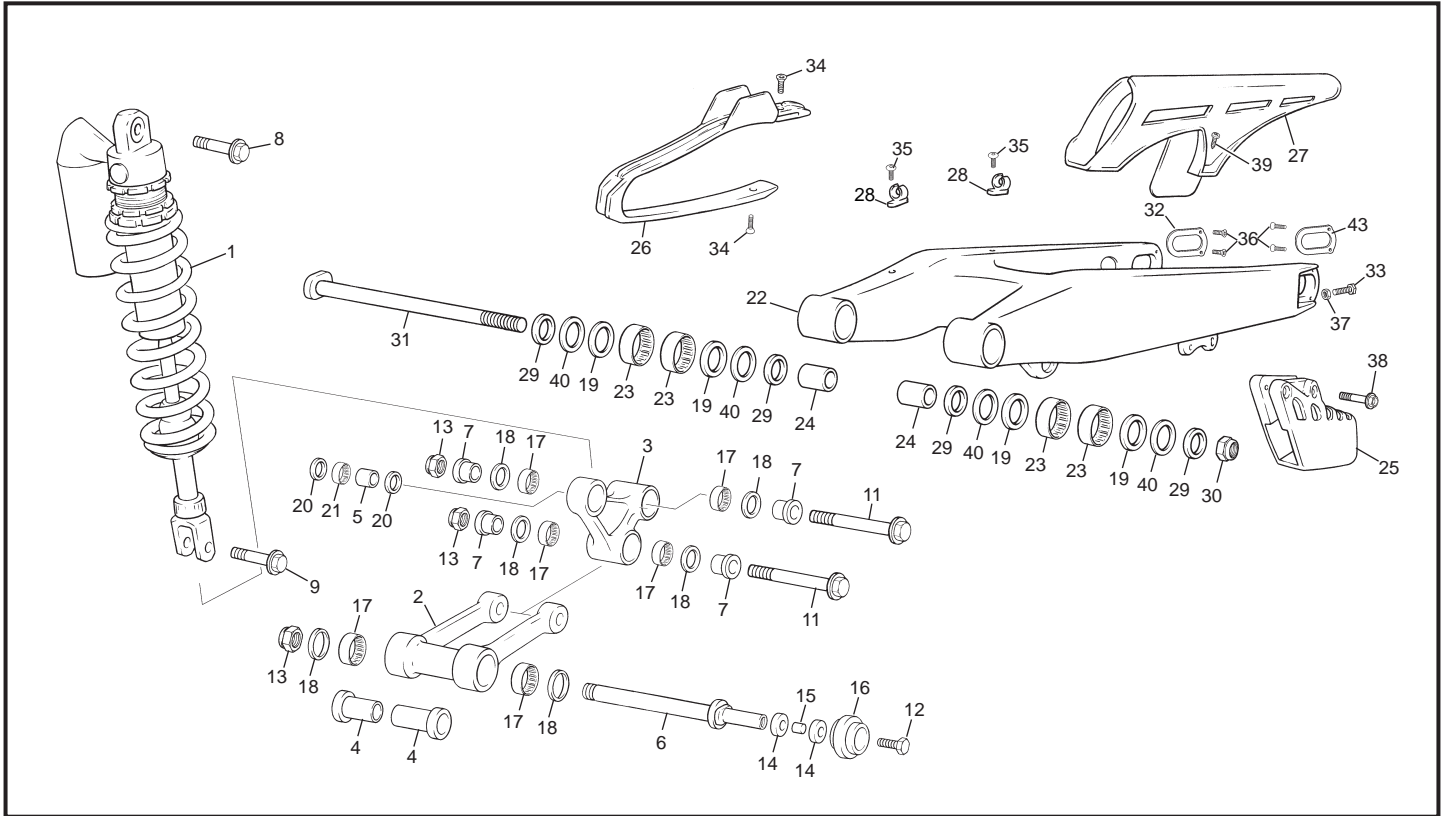


POS.	REE.	ESPAÑOL	FRANÇAIS	ENGLISH
1	0/000.180.9000	AMORTIGUADOR	AMORTISSEUR	REARSHOCK
2	0/000.770.9000	BIELETA H	BIELLETTTE H	LOWER LINK
3	0/000.980.9013	TRAPECIO	BIELLETTTE DELTA	DELTA LINK
4	0/000.480.9024	CASQUILLO BIELETA 12X18X78.5	ENTRETOISE BIELLETTE H12X18X78.5	H LINK SPACER 12X18X78.5
5	0/000.480.9019	CASQUILLO TRAPECIO 10X20X22	ENTRETOISE BIELLETTE DELTA 10X20X22	SPACER 10X20X22
6	0/000.190.9003	EJE BIELETA H	AXE BIELLETTE H & GALET	LOWER LINK BOLT
7	0/000.480.9021	CASQUILLO TRAPECIO SUSP. 12X18X33.5	ENTRETOISE BIELLETTE DELTA 12X18X33.5	DELTA LINK SPACER 12X18X33.5
8	0/000.190.9009	EJE SUP AMORTIGUADOR M10X 51	AXE AMORTISSEUR SUP M10X51	UPPER SHOCK BOLT
9	0/000.190.9000	EJE AMORTIGUADOR INF M10X37	AXE AMORTISSEUR INF M10X37	LOWER SHOCK BOLT
11	0/000.190.9002	EJE BIELETA DELTA M12X83.5	AXE BIELLETTE DELTA M12X83.5	DELTA LINK BOLT
12	0/000.460.9055	TORNILLO THEP M8X 30	VIS TH EP M8 X 30	SCREW TH EP M8 X 30
13	0/000.340.9000	TUERCA AUTOBLOC. CON VALONA M12	ECROU NYLSTOP EPAULE M12	NUT NYLSTOP M12
14	0/000.960.9001	RODAMIENTO 22X8X7	ROULEMENT 22 X 8 X 7	BEARING 22 X 8 X 7
15	0/000.480.9013	CASQUILLO RODILLO CADENA	DOUILLE GALET CHAINE	SPACER CHAIN WHEEL
16	0/000.360.9006	RODILLO CADENA	GALET DE CHAINE	ROLLER CHAIN GUIDE
17	0/000.960.9008	RODAMIENTO AGUJAS HN 1816	DOUILLE AIGUILLE JOINTIVE HN 1816	NEEDLE BEARING HN 1816
18	0/000.890.9001	RETÉN 22X28X4	JOINT A LEVRES 22X28X4	OIL SEAL 22X28X4
19	0/000.440.9002	ARANDELA 22 X 35 X 0.8	RONDELLE CALAGE 22 X 35 X 0.8	WASHER 22 X 35 X 0.8
20	0/000.890.9003	RETÉN 26X20X24	JOINT A LEVRES 26X20X24	OIL SEAL 26X20X24
21	0/000.960.9009	RODAMIENTO AGUJAS HN 2012	DOUILLE AIGUILLE JOINTIVE HN2012	NEEDLE BEARING HN 2012
22	0/000.020.9000	BASCULANTE	BRAS OSCILLANT	SWINGARM
23	0/000.960.9007	RODAMIENTO AGUJAS HK 2216	DOUILLES AIGUILLES HK 2216	NEEDLE BEARING HK 2216
24	0/000.480.9010	CASQUILLO INTERNE 17X22X38	ENTRETOISES INTERNE 17X22X38	SPACER 17X22X38
25	0/000.710.9000	GUÍA CADENA	GUIDE CHAINE	CHAIN GUIDE
26	0/000.360.9001	PATÍN CADENA	PATÍN DE CHAINE	SWING ARM PROTECTOR
27	0/000.980.9000	PROTECTOR CADENA	CÁRTER DE CHAINE	CHAIN GUARD
28	0/000.980.9009	SOPORTE TUBO FRENO	GUIDE DURITE FREIN AR	BRAKE HOSE CLIP
29	0/000.480.9023	CASQUILLO BASCULANTE 22X28X5	ENTRETOISE ETANCHEITE BRAS 22X28X5	SPACER 22X28X5
30	0/000.340.9011	TUERCA NYLSTOP M16X150	ECROU NYLSTOP M16X150	NUT NYLSTOP M16X150
31	0/000.190.9001	EJE BASCULANTE	AXE BRAS END 450	SWINGARM BOLT
32	0/000.660.9006	CHAPA PROTECCIÓN BASCULANTE 3 mm.	TOLE PROTECTION BRAS	SWINGARM INSERT
33	0/000.460.9031	TORNILLO TENSOR CADENA	VIS TENDEUR DE CHAINE	CHAIN TENSIONOR SCREW
34	0/000.460.9023	TORNILLO FHC M6X16	VIS FH M6X16	SCREW FHC M6X16
35	0/000.460.9008	TORNILLO 6X20 ULS	VIS BHC 6X20	SCREW BHC 6X20



3

**Amortiguador - Basculante / Amortisseur - Bras oscillant /
Rear Shock - Swingarm**

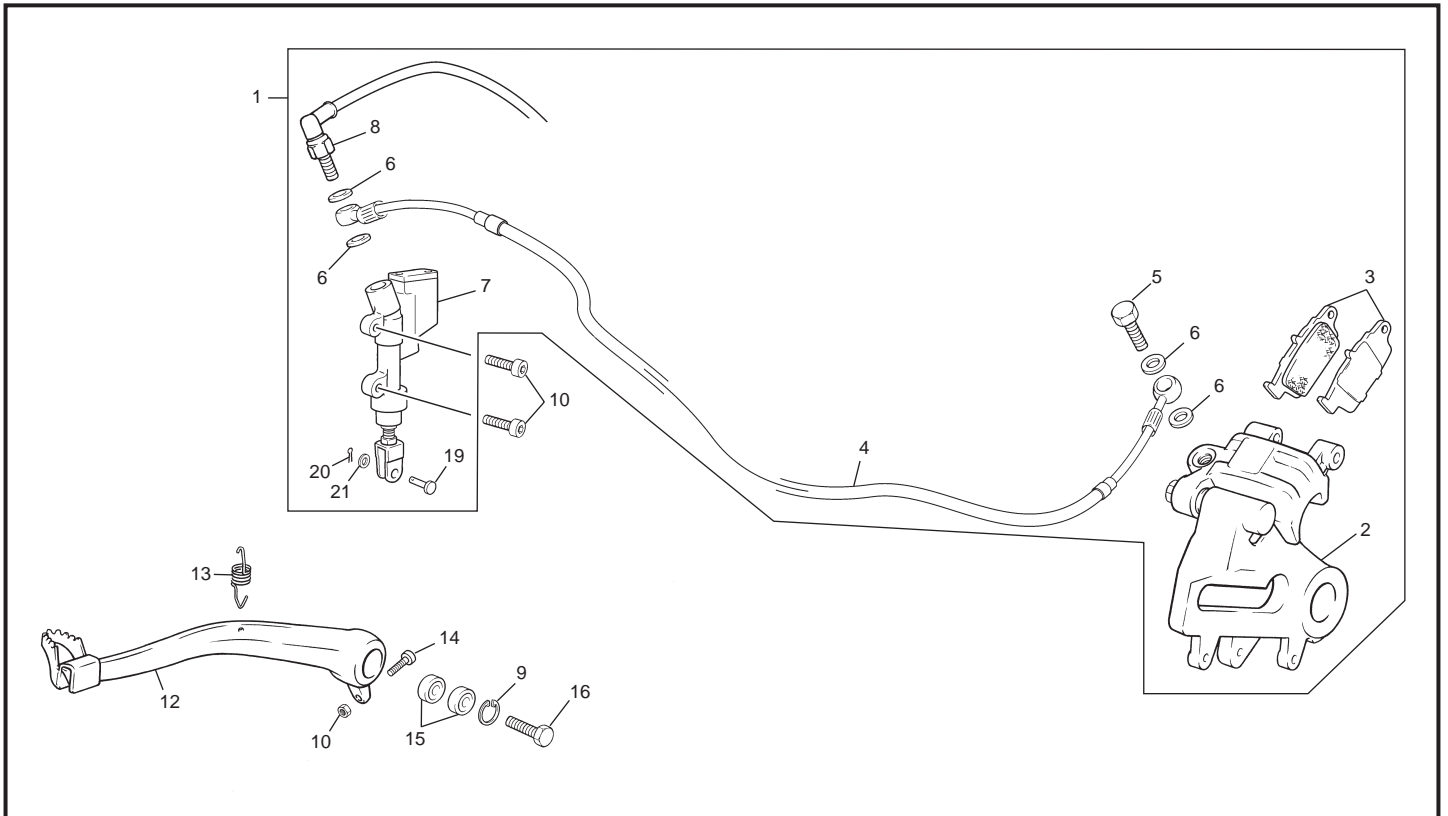


POS.	REF.	ESPAÑOL	FRANÇAIS	ENGLISH
36	0/000.460.9013	TORNILLO AVELL M4 X 10 DIN 7991	VIS FHC M4X10	SCREW FHC M4X10
37	0/000.340.9003	TUERCA CON VALONA M8	ECROU EMBASE X8	HEX NUT
38	0/000.460.9039	TORNILLO TH EP 8X40	VIS TH EP 8X40	SREW TH EP 8X40
39	0/000.460.9005	TORNILLO 6X16 ULS	VIS BHC 6X16 1093	SCREW BHC 6X16
40	0/000.890.9004	RETÉN 28X35X4	JOINTS A LEVRES 28X35X4	OIL SEAL 28X35X4
43	0/000.660.9005	CHAPA PROTECCIÓN BASCULANTE 5mm.	TOLE PROTECTION BRAS	SWINGARM INSERT

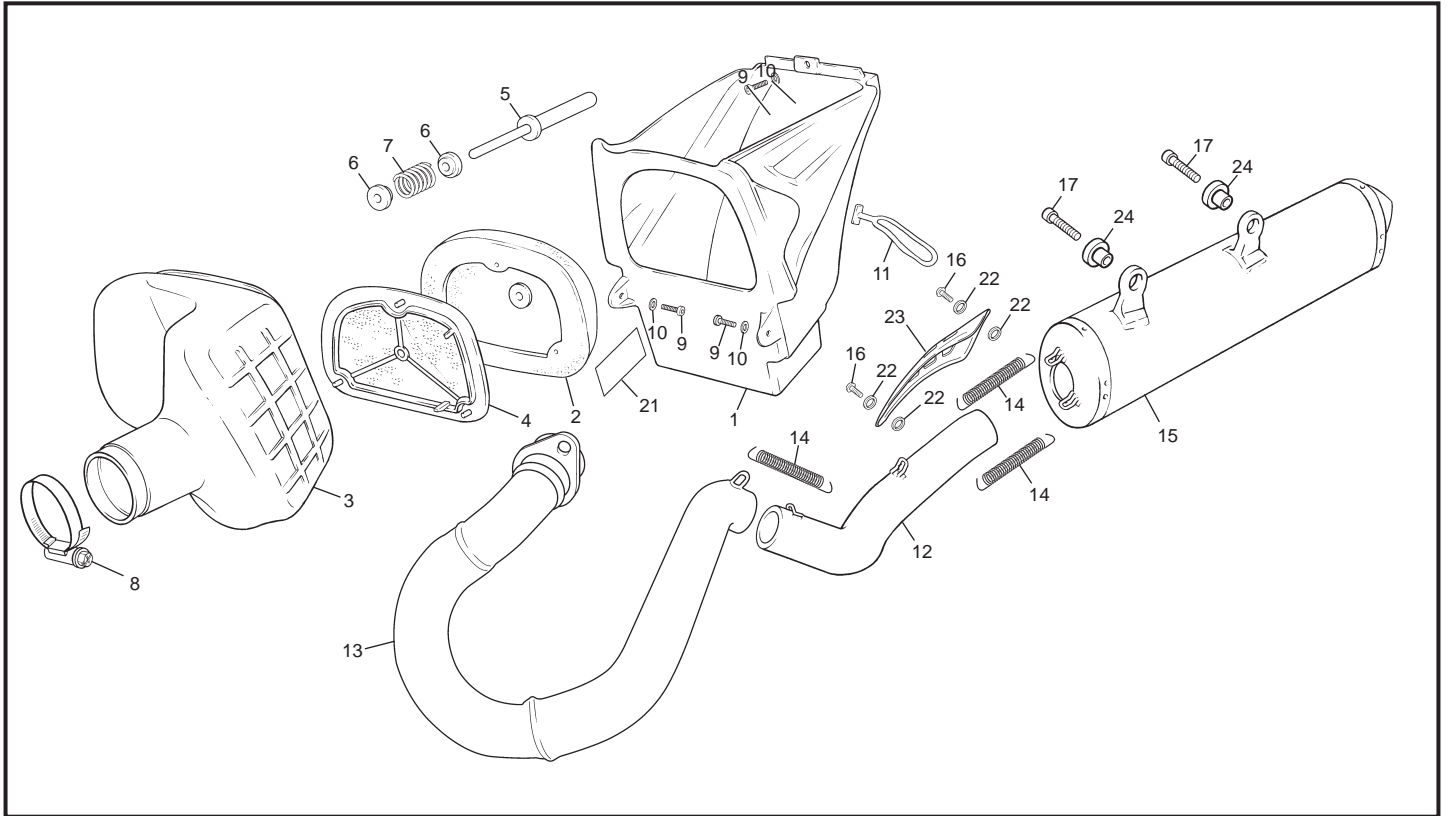


4

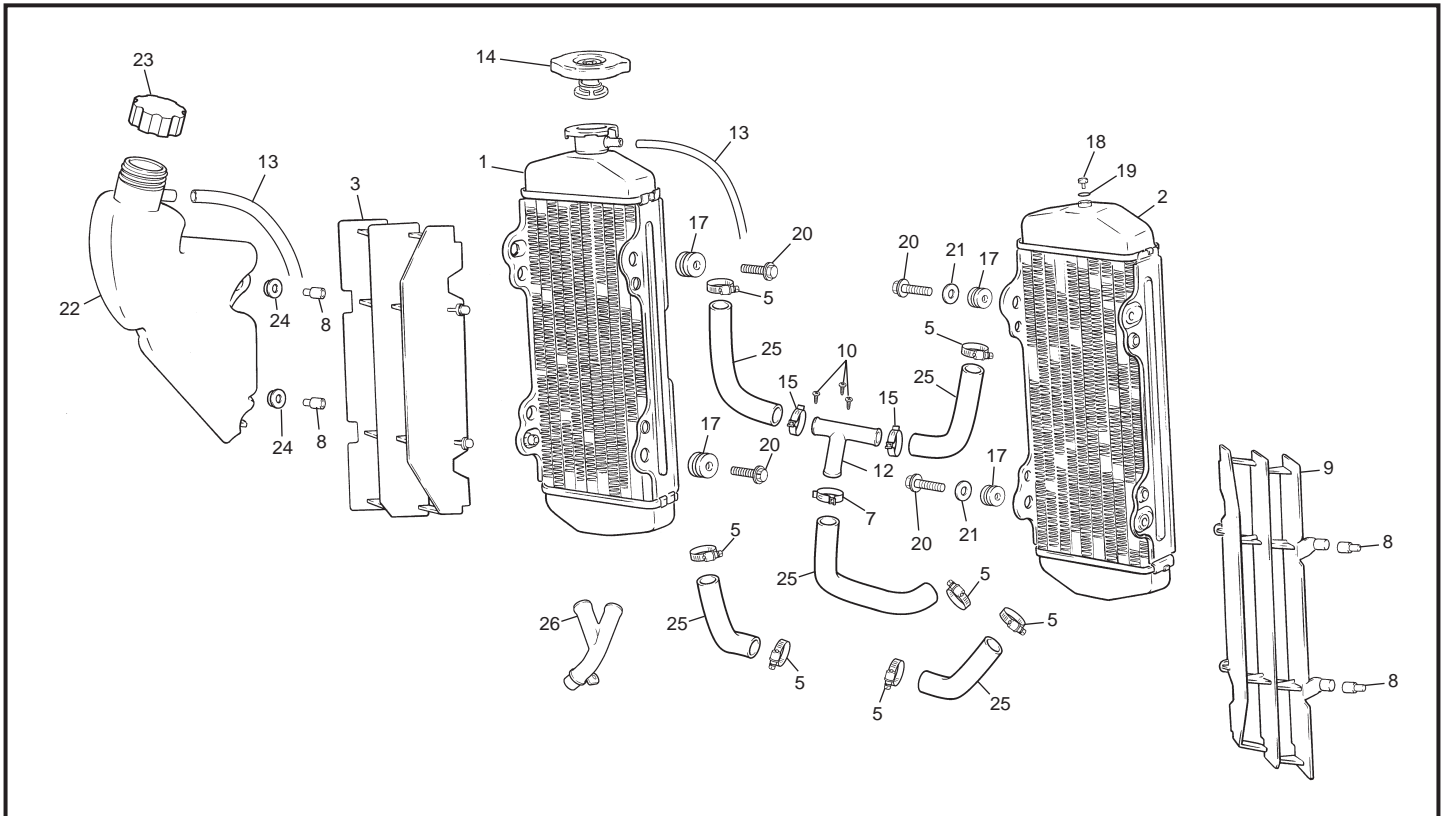
Freno trasero / Frein arriere / Rear brake



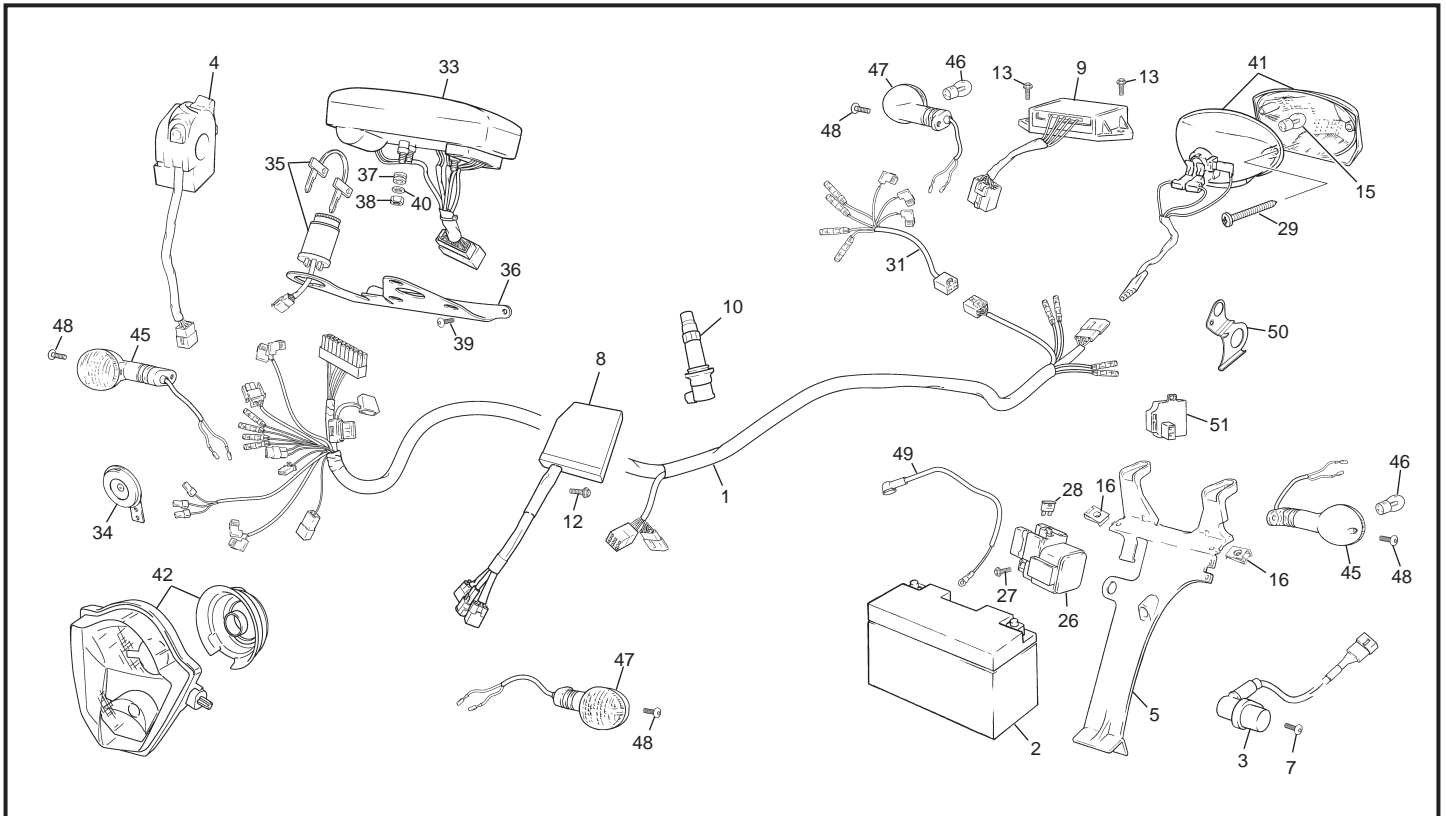
POS.	REE.	ESPAÑOL	FRANÇAIS	ENGLISH
1	0/000.820.9003	CTO. FRENO TRASERO	GROUPE FREIN AR. CPL	REAR BRAKE SYSTEM ASSY
2	0/000.860.9001	PINZA FRENO TRASERA	ETRIER FREIN AR	REAR CALIPER
3	0/000.930.9001	JUEGO PASTILLAS TRASERO	PLAQUETTES FREIN ARRRIERE PAIRE	REAR BRAKE PADS (PAIR)
4	0/000.290.9004	LATIGUILLO FRENO TRASERO	DURITE FREIN AR	REAR BRAKE HOSE
5	0/000.460.9028	TORNILLO RACORD M10X21	VIS RACCORD M10X21	SCREW M10X21
6	0/000.440.9011	ARANDELA BANJO	RONDELLE BANJO	ALUMINIUM SEAL
7	0/000.820.9001	BOMBA FRENO TRASERO	POMPE FREIN AR	REAR MASTER CYLINDER
8	0/000.720.9003	INTERRUPTOR FRENO	INTERUPTEUR FREIN	REAR BRAKE LIGHT SWITCH
9	0/000.840.9000	CIRCLIP 22 X 1	CIRCLIP 22 X 1	CIRCLIP 22 X 1
10	0/000.460.9052	TORNILLO THEP M6X20	VIS THEP 6X20	SCREW BHC 6X20 THEP
12	0/000.730.9000	PALANCA FRENO TRASERO	PEDALE DE FREIN AR CPL	REAR BRAKE PEDAL
13	0/000.470.9007	MUELLE PALANCA FRENO	RESSORT PEDALE FREIN	REAR BRAKE LEVER SPRING
14	0/000.460.9009	TORNILLO 6X30 DIN 912	VIS CHC 6X30 0084	SCREW CHC 6X30
15	0/000.960.9003	RODAMIENTO 608.2RS	ROULEMENT BILLE 608.2RS	BREARING 608.2RS
16	0/000.460.9040	TORNILLO TH EP M8X30	VIS TH EP M8 X 30	SCREW TH EP M8 X 30
19	0/000.840.9001	EJE HORQUILLA PEDAL	AXE CHAPE PEDALE DE FREIN 450 510 07	AXEL READ BREAK ROD
20	0/000.840.9002	GOUPILLE FRENO TRASERO	GOUPILLE CHAPPE DE FREIN 450 510 07	PIN READ BREAK
21	0/000.440.9015	ARANDELA M6	RONDELLE M6	SCREW M6



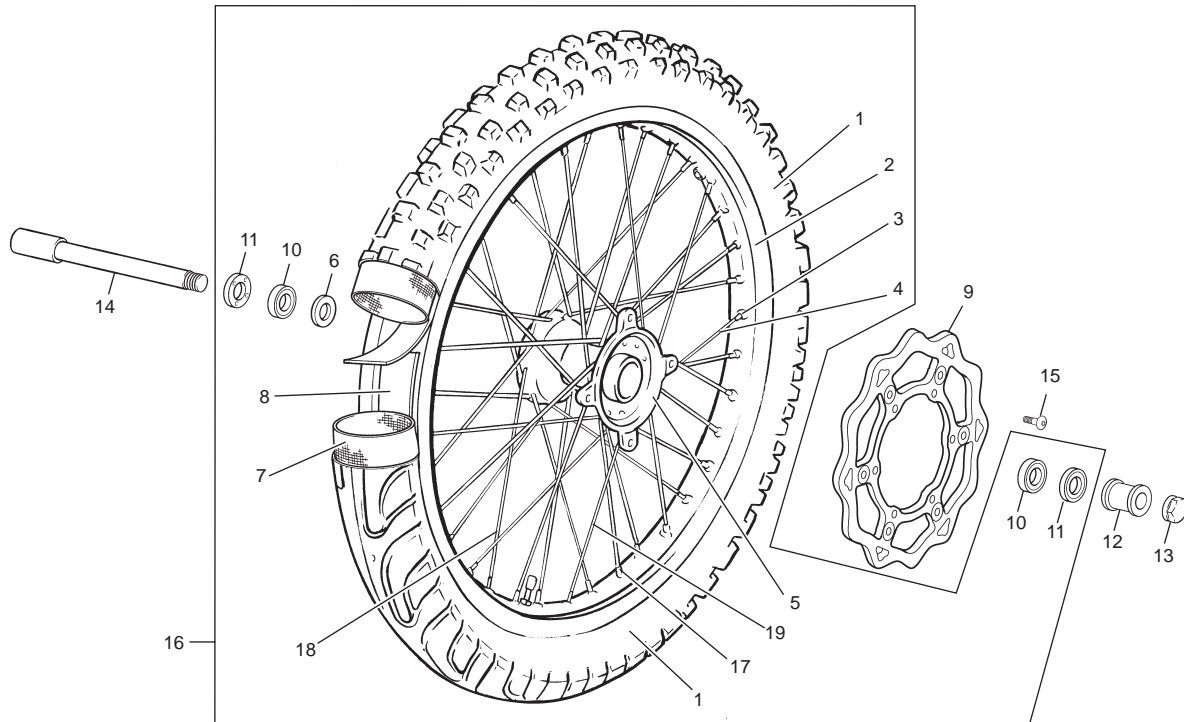
POS.	REE.	ESPAÑOL	FRANÇAIS	ENGLISH
1	0/000.910.9000	CAJA FILTRO	BOITIER FILTRE AIR	AIR BOX
2	0/001.070.9000	ESPUMA FILTRO	MOUSSE FILTRE	FILTER ELEMENT
3	0/000.360.9005	GOMA INYECCIÓN/CAJA FILTRO	MANCHÓN CAOUTCHOUC FILTRE/ INJ.	RUBBER HOSE
4	0/000.980.9004	SOPORTE ESPUMA FILTRO	SUPPORT MOUSSE DE FILTRE	AIR FILTER RETAINER
5	0/000.190.9004	EJE EMPUJADOR ESPUMA FILTRO	AXE FIXATION MOUSSE FILTRE	AIR FILTER MOUNTING BOLT
6	0/000.360.9010	TOPE MUELLE EMPUJADOR	BUTEE RESSORT MOUSSE DE FILTRE	SPRING RETAINER
7	0/000.470.9003	MUELLE EMPUJADOR	RESSORT MOUSSE FILTRE	SPRING
8	0/000.680.9007	BRIDA TOBERA KC060 CUERPO INYEC.	COLLIER KC060 MANCHÓN CORP INJ.	HOSE CLAMP
9	0/000.460.9036	TORNILLO TH EP 6X20	VIS TH EP 6 X 20	SREW TH EP 6 X 20
10	0/000.440.9004	ARANDELA 6 DIN 125 A	RONDELLE 6X12 04076	WASHER X 6
11	0/000.360.9000	GOMA CABALLETE	CAOUTCHOUC DE MAINTIEN DE BEQUILLE	SIDE STAND RUBBER
12	0/000.290.9012	TUBO UNIÓN COLECTOR/SILENCIOSO 450 c.c.	TUBE UNION COLECTEUR/SILENCIEUX 450 c.c.	EXHAUST PIPE (2) 450 c.c.
13	0/000.290.9000	TUBO ESCAPE	TUBE ECHAPPEMENT	EXHAUST PIPE
14	0/000.470.9008	MUELLE ESCAPE	RESSORT POT	EXHAUST SPRING
15	0/000.870.9000	SILENCIOSO CATALISADO	SILENCIEUX CATALYSÉ	SILENCER CATALYSED
16	0/000.460.9015	TORNILLO BHC 6X8	VIS BHC 6X8	SCREW BHC 6X8
17	0/000.460.9037	TORNILLO TH EP 6X30	VIS TH EP 6 X 30	SCREW TH EP 6 X 30
21	0/000.980.9007	PROTECTOR TÉRMICO CAJA FILTRO	ADH.TERMIQUE BITE FILTRE	FILTER BOX STICKER
23	0/000.980.9015	CHAPA PROTECCIÓN CALORICA	TOLE PROTECTIA THERMIQUE	STEEL PROTECTION THERMIC
24	0/000.360.9009	GOMA SILENCIOSO	SILENBLOCK SILENCIEUX	RUBBER SILENCER



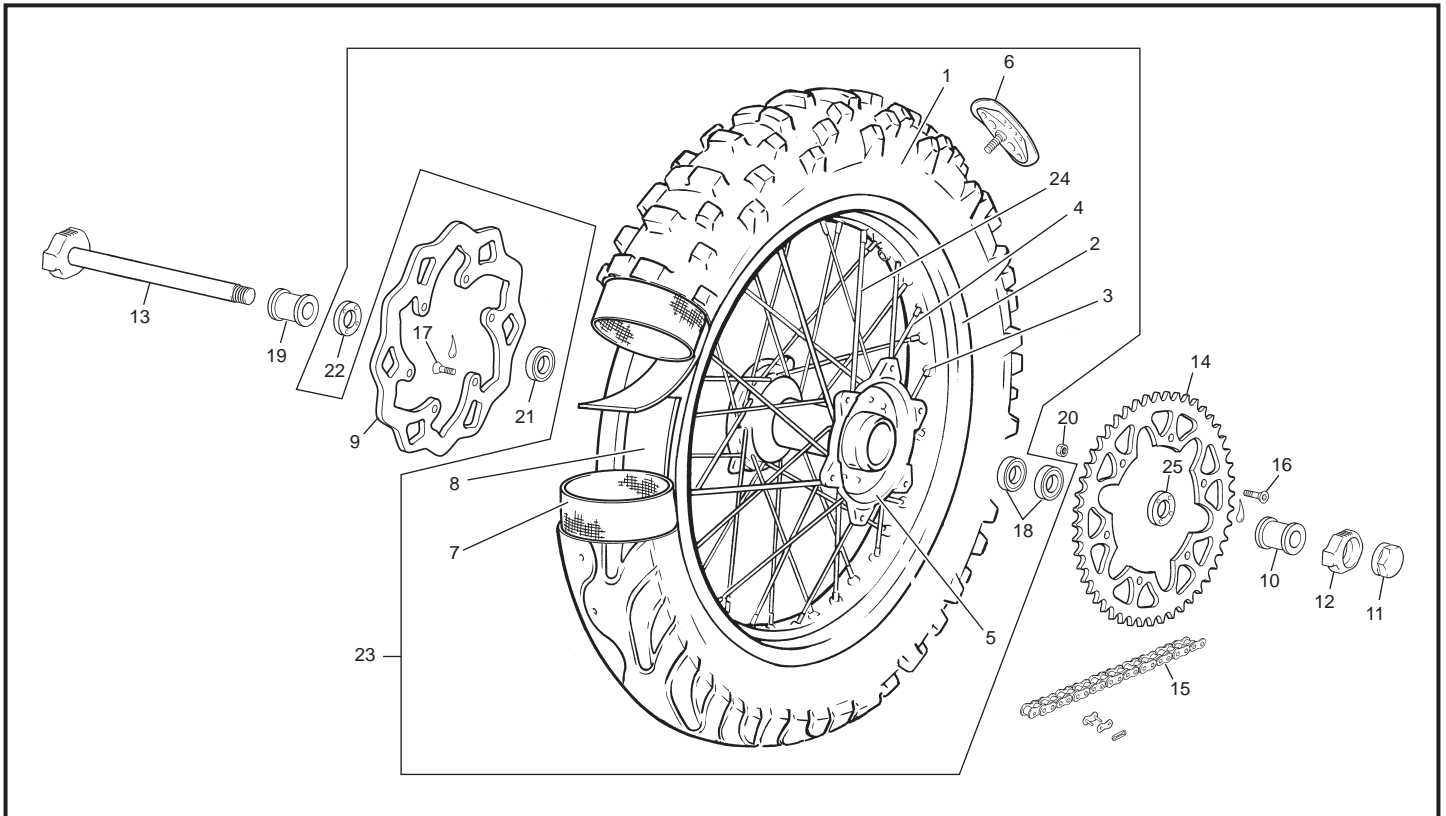
POS.	REE.	ESPAÑOL	FRANÇAIS	ENGLISH
1	0/000.580.9000	RADIADOR DERECHO	RADIATEUR DROIT	RIGHT RADIATOR
2	0/000.580.9001	RADIADOR IZQUIERDO	RADIATEUR GAUCHE	LEFT RADIATOR
3	0/000.220.9004	REJILLA RADIADOR DERECHO	GRILLE RADIATEUR D	RH RADIATOR GUARD
5	0/000.680.9006	BRIDA K025 TUBO RADIADOR	COLLIER K025 FIXATION DURITE	HOSE CLAMP
7	0/000.680.9004	BRIDA 25 CLIP CUERPO TERMOSTATO	COLLIER 26 CLIP CORPS THERMOSTAT	HOSE CLAMP
8	0/000.480.9011	CASQUILLO REJILLA RADIADOR	EMBOUT GRILLE RADIATEUR	RADIATOR GUARD SPACER
9	0/000.220.9003	REJILLA RADIADOR IZQUIERDO	GRILLE RADIATEUR G	LH RADIATOR GUARD
10	0/000.460.9000	TORNILLO 3.5 X 19 DIN 7981 C CRUZ	VIS CORPS THERMOSTAT	SCREW 3.5X19 DIN 7981
12	0/000.290.9011	TUBO REFRIGERACION	TUBE RÉFRIGÉRATION	SLEEVE REFRIGERATION
13	0/000.290.9006	TUBO GASOLINA/RADIADOR 50	DURITE ESSENCE/RADIATEUR 50 5X10X350	OVERFLOW HOSE
14	0/000.410.9003	TAPÓN RADIADOR	BOUCHON RADIATEUR	RADIATOR CAP
15	0/000.680.9003	BRIDA 24.5 CLIP CUERPO TERMOSTATO	COLLIER 25 CLIP CORPS THERMOSTAT	HOSE CLAMP
17	0/000.360.9007	SILENBLOCK RADIADOR	SILENBLOCK RADIATEUR	RADIATOR INSULATOR
18	0/000.460.9038	TORNILLO TH EP 6X8	VIS TH EP 6 X 8	SCREW TH EP 6 X 8
19	0/000.440.9009	ARANDELA ALU 6.5 X 11 X 1	RONDILLE ALU 6.5 X 11 X 1	WASHER ALU 6.5 X 11 X 1
20	0/000.460.9033	TORNILLO TH EP 6X16	VIS TH EP 6X16	SREW TH EP6X16
21	0/000.440.9005	ARANDELA 6X18 DIN 9021	RONDILLE 6 X18	WASHER 6X18
22	0/000.030.9001	VASO EXPANSIÓN	VAS EXPANSION	SPACER EXPANSION TANK
23	0/000.410.9004	TAPÓN VASO EXPANSIÓN	BOUCHON VAS EXPANSION	EXPANSION CAP
24	0/000.480.9006	CASQUILLO CARROCERÍA	ENTRE TOISE CARROSSERIE	EXPANSION TANK STOPPER
25	0/000.290.9008	JUEGO TUBOS RADIADOR	JEU DURITE RADIATEUR	SET RUBBER HOSE RADIATOR
26	0/000.290.9002	TUBO REFRIGERACIÓN	TUBE RÉFRIGÉRATION	SLEEVE REFRIGERATION
27	0/000.290.9001	TUBO REFRIGERACIÓN	TUBE RÉFRIGÉRATION	SLEEVE REFRIGERATION



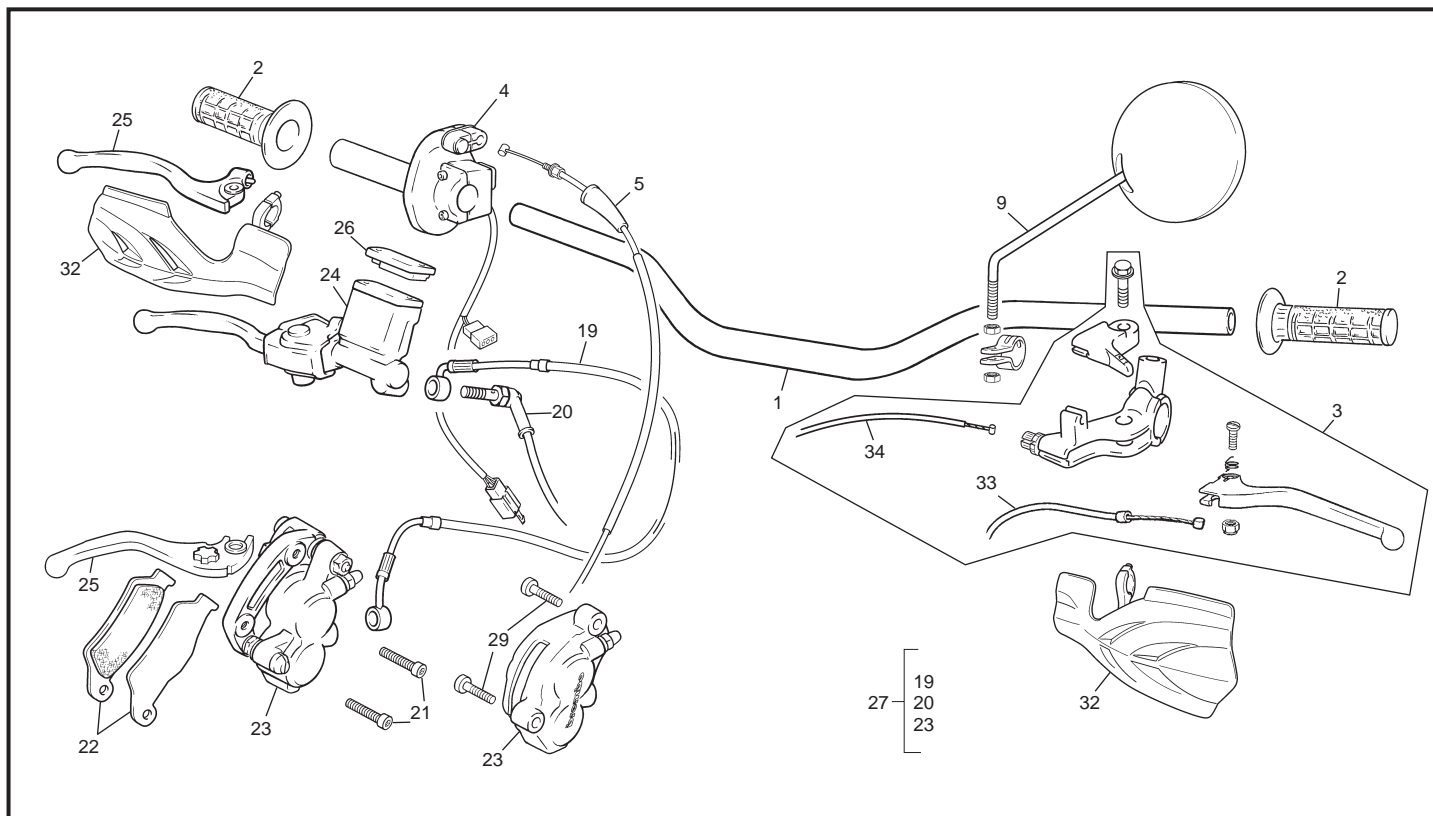
POS.	REE.	ESPAÑOL	FRANÇAIS	ENGLISH
1	0/000.160.9000	INSTALACIÓN ELÉCTRICA ANTERIOR	FAISCEAU ELECT GENERAL ANTERIEUR	FRONT HARNESS ASSEMBLY
2	0/000.900.9000	BATERÍA 12V7AMP	BATTERIE 12V7AMP	BATTERY 12V7AMP
3	0/001.010.9001	SENSOR VELOCIDAD	CAPTEUR TOURS COMPTEUR KM.	SPEEDONETER SENSOR
4	0/000.720.9000	CONMUTADOR ELÉCTRICO	COMMODO GAUCHE	LH SWITCH ASSEMBLY
5	0/000.980.9001	SOPORTE BATERÍA	CALE BATERIE SUPPORT COMP ELEC	BATTERY MOUNTING BRACKET
7	0/000.460.9041	TORNILLO THEP 6X16	VIS THEP 6X16	SCREW THEP6X16
8	0/005.705.9000	CENTRALITA ELECTRÓNICA	BOITIER ELECTRONIQUE	ELECTRONIC BOX
9	0/005.070.9001	REGULADOR	REGULATEUR	REGULATOR
10	0/000.680.9009	CTO. PIPA BUJÍA	ANTIPARASITE CPL	SPARK PLUG CAP ASSEMBLY
12	0/000.460.9032	TORNILLO TH EP 5 X 20	VIS TH EP 5 X 20	SREW TH EP 5 X 20
13	0/000.460.9044	TORNILLO THEP 6X20	VIS TH EP 6 X 20	SREW TH EP 6 X 20
15	0/000.850.0220	BOMBILLA PILOTO TRASERO	AMPOULE PILOTE ARRIÈRE	BACK PILOT LIGHT BULB
16	0/000.340.9001	TUERCA CLIP M5	ECROU CLIP M5	CLIP NUT M5
26	0/001.200.9000	RELÉ DEMARRER	RELÉ DEMARREUR	STARTER RELAY
27	0/000.460.9051	TORNILLO THEP 6X8	VIS TH EP 6 X 8	SCREW TH EP 6 X 8
28	0/000.910.9001	FUSIBLE 30 A LITLIFUSE	FUSIBLE 30 A LITLIFUSE	FUSE 30A
29	0/000.460.9025	TORNILLO M4 X 45 CRUCIFO. DIN 7881	VIS M4 X 45 CRUCIFORME	SCREW M4 X 45
31	0/000.160.9002	INSTALACIÓN ELÉCTRICA POST.	FAISCEAU ELECTRIQUE GEN. POST.	BACK ELECTRICAL CABLE SIST.
33	0/001.000.9000	VELOCÍMETRO	COMPTEUR DE VITESSE	SPEEDOMETER
34	0/000.420.9000	CLAXON	CLAXON	HORN
35	0/001.090.9002	BLOC LLAVE ARRANQUE	BLOC CLE DEMARRAGE	IGNITION SWITCH
36	0/000.980.9017	SOPORTE VELOCÍMETRO	SUPPORT COMPTEUR VITESSE	SPEEDOMETER MOUNTING BRACKET
37	0/000.360.9003	SILENBLOC COMPTEUR	SILENBLOC COMPTEUR	INSULATOR
38	0/000.340.9007	TUERCA M5 DIN 985	ECROU M5 NYLSTOP	NUT NYLSTOP M5
39	0/000.460.9042	TORNILLO THEP 6X16	VIS THEP 6X16	SCREW THEP6X16
40	0/000.440.9003	ARANDELA 5 DIN 125 A	RONDELLE X5 0407 5	WASHER X5
41	0/000.150.9000	FARO TRASERO	FEU AR	REAR LIGHT ASSEMBLY
42	0/000.600.0270	FARO DELANTERO	OPTIQUE PHARE	HEADLIGHT ASSEMBLY
45	0/000.150.9002	INTERMITENTES DEL.DER./TRAS. IZQ.	CLIGNOTEUR AVD/ARG	TURN LIGHT/FRONT RIGHT AND REAR LEFT
47	0/000.150.9001	INTERMITENTES DEL./IZQ. TRAS./DER.	CLIGNOTEUR AVG/ARD	TURN LIGHT/FRONT LEFT AND REAR RIGHT
48	0/000.460.9006	TORNILLO 6X16 ULS	VIS BHC 6X16 1093	SCREW BHC 6X16
49	0/000.550.9002	CABLE BATERIA	CÂBLE BATTERIE	CABLE BATTERY
50	0/000.980.9016	SOPORTE SENSOR	SUPPORT CAPTEUR	SENSORIAL SUPPORT
51	0/001.200.5032	CENTRAL INTERMITENCIA 12V.2x10w	CENTRALE GLINOTANTS 12V.2x10w	POWER STATION INTERMITE. 12V.2x10w



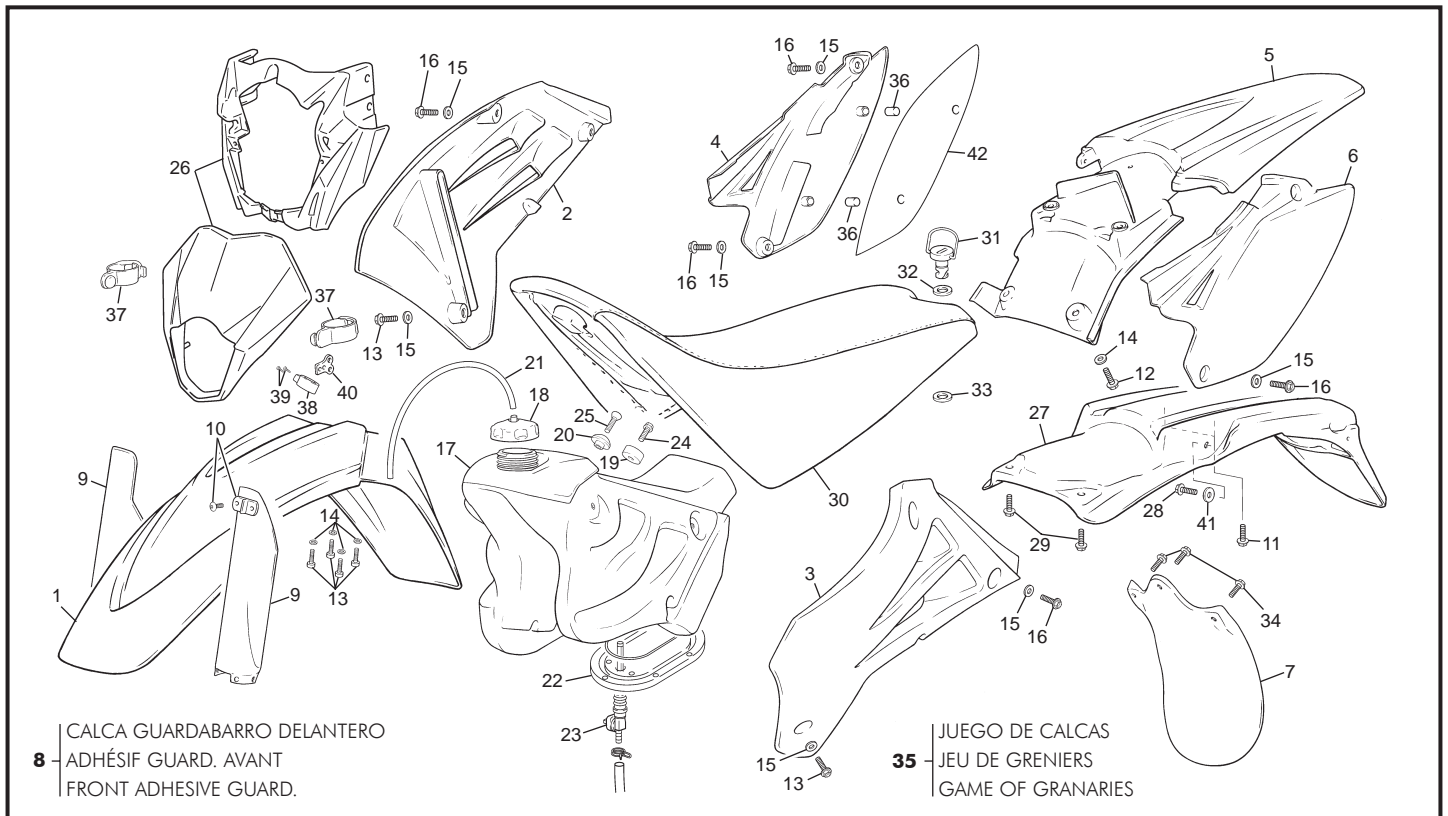
POS.	REE.	ESPAÑOL	FRANÇAIS	ENGLISH
1	0/000.510.9000	NEUMÁTICO DEL 90X90/21	PNEU AVANT 90X90/21	FRONT TIRE 90X90X21
2	0/000.230.9000	LLANTA DEL 1,6 X 21 NEGRO	JANTE AV 1,6 X 21 NOIR	FRONT RIM 1,6 X 21 BLACK
3	0/000.340.9013	TUERCA RADIO 3,5 (36)	ECROU RAYÓN 3,5 (36)	SPOKE NIPPLE 3,5 (36)
4	0/000.540.9005	RADIO DELANTERO 3,5X242 (36) END	RAYON AVANT 3,5X242 (36) END	SPOKE 3,5X242 (36)
5	0/000.070.9000	BUJE CPL	MOYEU COMPLET AV	HUB
7	0/000.520.0500	CAMARA 21	CHAMBRE AIR21	INNER TUBE 21
8	0/000.220.9000	FONDO LLANTAS 21	FOND JANTE AV 21	RIM BAND 21
9	0/001.090.9000	DISCO FRENO DEL ø 260	DISQUE FREIN AV ø 260	FRONT ROTOR ø 260
10	0/000.960.9002	RODAMIENTO 6005 2RS	ROULEMENT 6005 2RS	BEARING 6005 2RS
11	0/000.890.9002	RETÉN 25X42X7	JOINT A LEVRES 25X42X7	OIL SEAL 25X42X7
12	0/000.480.9002	CASQUILLO RUEDA DEL.	ENTRETOISE ROUE AVANT	FRONT WHEEL SPACER
13	0/000.340.9016	TUERCA RUEDA DEL.	ECROU ROUE AVANT	FRONT AXLE NUT
14	0/000.190.9007	EJE RUEDA DEL.	AXE DE ROUE AVANT	FRONT WHEEL AXLE
15	0/000.460.9020	TORNILLO ESPECIAL DISCO FRENO	VIS SPECIALE DISQUE	ROTOR BOLTS
16	0/000.110.9000	RUEDA DEL. SIN DISCO NEGRO	ROUE AVANT SANS DISQUE NOIR	FRONT WHEEL WITHOUT DISC BLACK
17	0/000.340.9013	RADIO 173,5 X 3,5 (18+9)	RAYON 173,5 X 3,5 (18+9)	SPOKE 173,5 X 3,5 (18+9)
18	0/000.540.9005	RADIO 175,5 X 3,5 (9)	RAYON 175,5 X 3,5 (9)	SPOKE 175,5 X 3,5 (9)
19	0/000.340.9006	TUERCA M4 (36)	ECRON RAYON M4 (36)	SPOKE NIPPLE M4 (36)
20	0/000.440.9001	ARANDELA 20,1X24,9X2	RONDILLE 20,1X24,9X2	WASHER 20,1X24,9X2



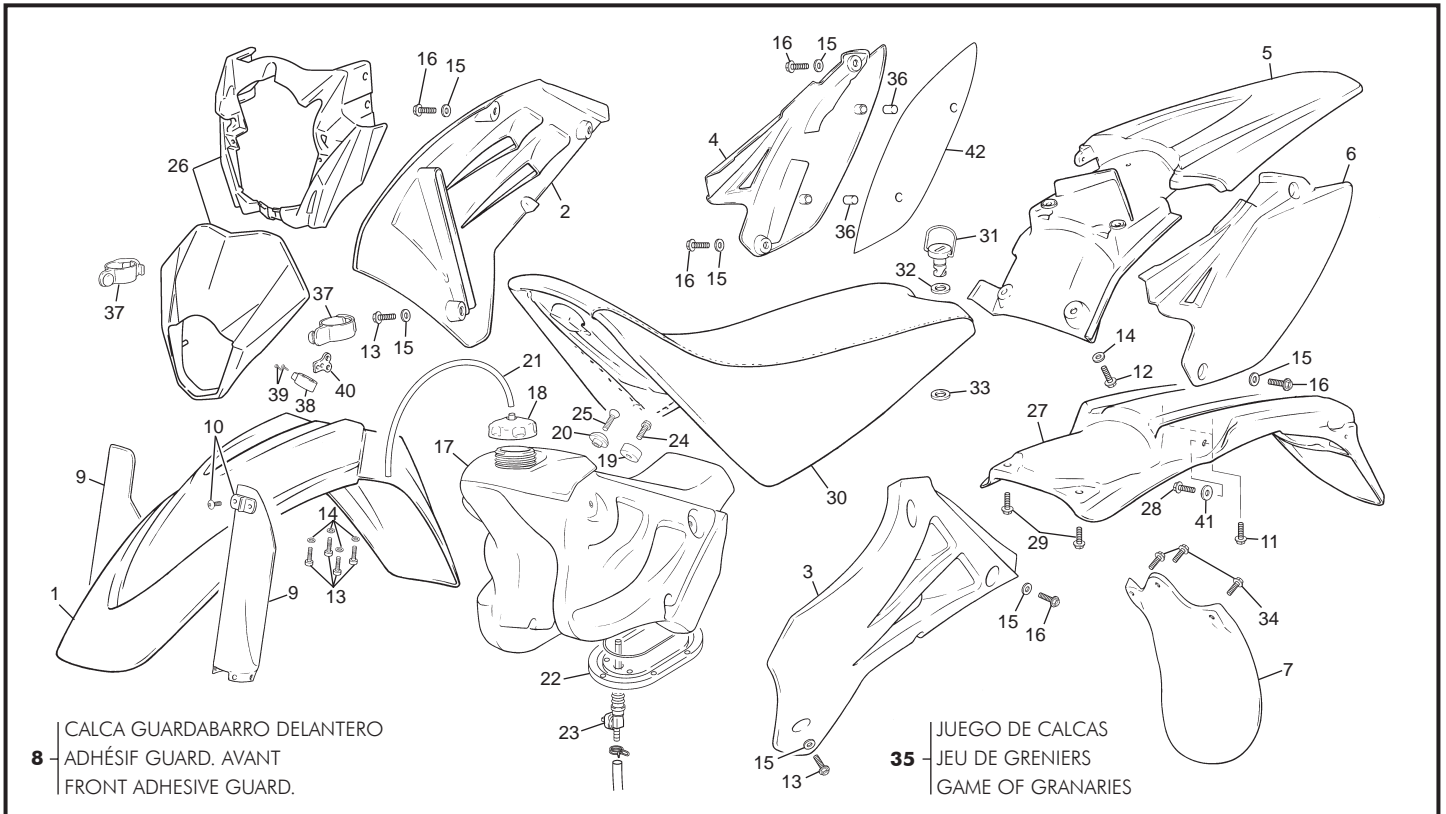
POS.	REE.	ESPAÑOL	FRANÇAIS	ENGLISH
1	0/000.510.9001	NEUMÁTICO TRAS 140 X 18	PNEU AR 140 X 18	REAR TIRE 140 X 18
2	0/000.230.9002	LLANTA TRAS. 2,15 X 18 NEGRA	JANTE AR 2,15 X 18 NOIRE	REAR RIM 2,15 X 18 BLACK
3	0/000.340.9013	TUERCA RADIO 4 (36)	ECROU RAYON 4 (36)	SPOKE NIPPLE 4 (36)
4	0/000.540.9007	RADIO TRAS. 4X200 (9) END	RAYON POST. 4X200 (9) END	SPOKE 4 X 200 (9)
5	0/000.080.9000	BUJE TRAS.	MOYEU COMPLET AR	REAR HUB
6	0/000.220.9001	AGARRACUBIERTAS TRAS.	GRIPSTER 2.15" AR	REAR RIM LOCK
7	0/000.520.9001	CAMARA 18	CHAMBRE AIR 18	REAR INNER TUBE 18
8	0/000.220.9001	FONDO LLANTA 18	FOND JANTE AR 18	REAR RIM BAND 18
9	0/001.090.9100	DISCO FRENO TRAS.	DISQUE FREIN AR	REAR BRAKE ROTOR
10	0/000.480.9003	CASQUILLO RUEDA TRAS. IZQ.	ENTRETOISE ROUE AR GAUCHE	LH REAR WHEEL SPACER
11	0/000.340.9017	TUERCA RUEDA TRAS.	ECROU ROUE AR	REAR AXLE NUT
12	0/000.380.9000	TENSOR CADENA DER.	TENSEUR CHAÎNE DROIT	RH CHAIN TENSIONER
13	0/000.190.9008	EJE RUEDA TRAS.	AXE DE ROUE AR	REAR AXLE
14	0/000.500.9001	CORONA 48D	COURONE AR 48 D	REAR SPROCKET 48 T
15	0/001.050.9000	CADENA 520 HTTP 114p.	CHAÎNE 110	CHAIN 110
16	0/000.460.9019	TORNILLO ESPECIAL CORONA	VIS SPECIALE COURONNE	SPROCKET BOLTS
17	0/000.460.9021	TORNILLO ESPECIAL DISCO FRENO	VIS SPECIALE DISQUE	BRAKE ROTOR BOLTS
18	0/000.960.9002	RODAMIENTO 6005 2RS	ROULEMENT 6005 2RS	BEARING 6005 2RS
19	0/000.480.9004	CASQUILLO RUEDA TRAS. DER.	ENTRETOISE ROUE AR DROITE	RH REAR WHEEL SPACER
20	0/000.340.9012	TUERCA NYLSTOP M8	ECROU NYLSTOP M8 0368.10	NUTNYLSTOP M8
21	0/000.960.9004	RODAMIENTO 16005 2ZR	ROULEMENT 16005 2ZR	BEARING 16005 2ZR
22	0/000.890.9005	RETEN 32X42X7	JOINT LEVER 32X42X7	OIL SEAL 32X42X7
23	0/000.120.9000	RUEDA TRAS. SIN DISCO/CORONA NEG.	ROUE ARR. SANS DISC/COURONE NOIRE	REAR WHEEL WITH. DISK/SPROKET BLACK
24	0/000.540.9006	RADIO TRAS. LADO PLATO	RAYON POST 188X4.5 COTÉ PLATEAU	SPROCKET-SIDE SPOKE 188X4.5



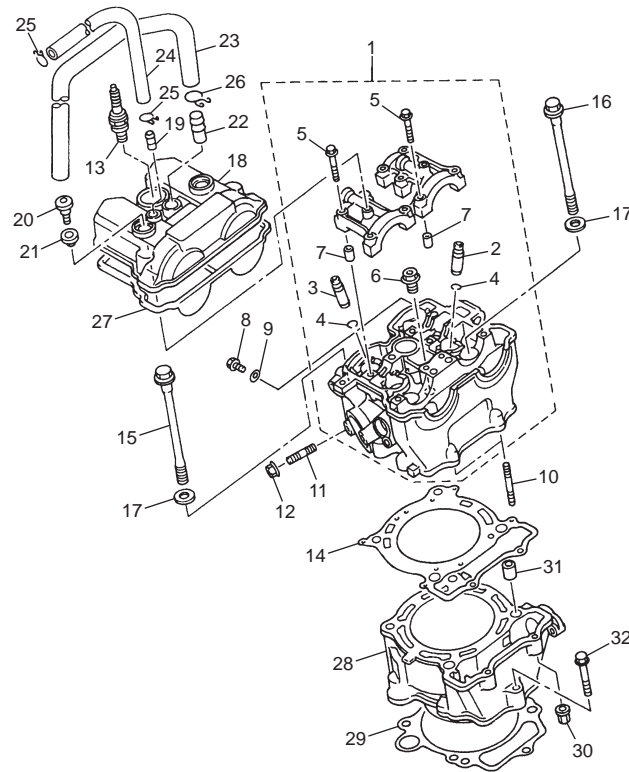
POS.	REF.	ESPAÑOL	FRANÇAIS	ENGLISH
1	0/000.170.9000	MANILLAR NEGRO	GUIDON NOIR	HANDLEBAR BLACK
2	0/000.530.9001	JUEGO EMPUÑADURAS SHERCO	GROUPE POIGNEES SHERCO PAIRE	GRIP SET - SHERCO
3	0/000.830.9000	CJTO. MANETA EMBRAGUE	EMB CPL	CLUTCH MASTER CYLINDER ASSEMBLY
4	0/000.530.9000	MANDO GAS	COMMANDE DE GAZ	THROTTLE GAS
5	0/000.550.9000	CABLE DE GAS	CABLE DE GAZ	THROTTLE CABLE
9	0/000.990.9000	RETROVISOR	RETROVISEUR	MIRROR
19	0/000.290.9003	LATIGUILLO FRENO DELANTERO	DURITE FREIN AV	FRONT BRAKE HOSE 450
20	0/000.720.9002	INTERRUPTOR FRENO	INTERUPTEUR FREIN	BRAKE LIGHT SWITCH
21	0/000.460.9058	TORNILLO ULS M8X35	VIS CHC M8X35	SCREW CHC M8X35
22	0/000.930.9000	JUEGO PASTILLAS FRENO DEL.	PLAQUETTES FREIN AV PAIRE	FRONT BRAKE PADS (PAIR)
23	0/000.860.9000	PINZA FRENO DELANTERO	ETRIER FREIN AVANT450	FRONT CALIPER ASSY
24	0/000.820.9000	BOMBA FRENO DELANTERO	POMPE FREIN AV CPL	FRONT BRAKE MASTER CYLINDER ASSY
25	0/000.830.9001	MANETA FRENO	LEVIER FREIN AVANT SEÚL	FRONT BRAKE LEVER
26	0/000.350.9005	TAPETA BOMBA FRENO DELANTERO	COUVERCLE POMPE FREIN AV	BRAKE RESERVOIR COVER
27	0/000.820.9002	CTO. FRENO DEL.	GROUPE FREIN AVANT COMPL	COMPLETE FRONT BRAKE HYDR. SYSTEM
29	0/000.460.9018	TORNILLO CHC M10:1,25 X 55 (10,9)	VIS CHC M10:1,25 X 55 (10,9)	SCREW CHC M10:1,25 X 55 (10,9)
30	0/000.830.8301	MANETA	LEVIER EMBRAYAGE	CLUTCH LEVER
31	0/000.830.8302	MANETA STARTER	LEVIER STARTER	STARTER LEVER
32	0/000.770.5703	PARA MANO NEGRO JUEGO	PARE MAINS NOIRS JEU	HAND GUARD BLACK SET
33	0/000.550.9001	CABLE EMBRAGUE	CÂBLE EMBRAYAGE	CLUTCH CABLE
34	0/000.550.9006	CABLE STARTER	CÂBLE STARTER	STARTER TO CABLE



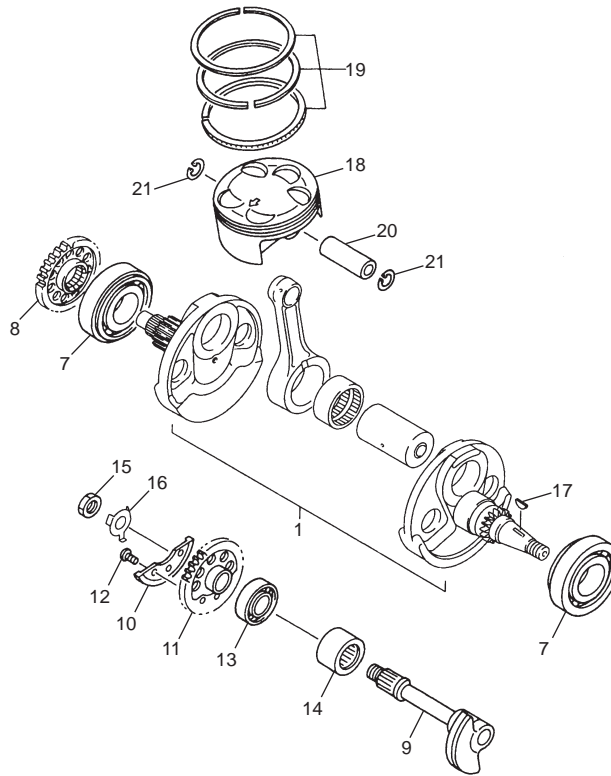
POS.	REE.	ESPAÑOL	FRANÇAIS	ENGLISH
1	0/000.050.9000	GUARDABARROS DEL. NEGRO	PARE BOUE AVANT NOIR	FRONT FENDER BLACK
2	0/000.570.9003	PLACA RADIADOR DER. NEGRO	OUIE DROITE NOIR	RH RADIATOR SIDE PANEL BLACK
3	0/000.570.9004	PLACA RADIADOR IZQ. NEGRO	OUIE GAUCHE NOIR	LH RADIATOR SIDE PANEL BLACK
4	0/000.570.9000	PLACA NO DER. BLANCO	PLAQUE LATÉRAL D BLANC	RH NUMBER PLATE WHITE
5	0/000.060.9000	GUARDABARROS TRA. BLANCO	PARE BOUE ARRIERE BLANC	BACK MUDGUARD WHITE
6	0/000.570.9001	PLACA NO IZQ. BLANCO	PLAQUE LATÉRAL G BLANC	LH NUMBER PLATE WHITE
7	0/000.200.9001	BAVETTE FILTRO	BAVETTE DE FILTRE	FILTER GUARD
8	0/000.390.9002	CALCA GUARDABARRO DELANTERO	ADHÉSIF GUARD. AVANT	FRONT ADHESIVE GUARD.
9	0/000.220.9005	JUEGO PROTECTOR HORQUILLA	JEU ROTECTEUR FOURCHE DR	RIGTH FORK PROTECTOR
10	0/000.360.9012	CONJUNTO SOP. LATIGUILLO FRENO DEL.	GROUPE SUPPORT DURITE AV	FRONT BRACK HOSE HOLDER
11	0/000.460.9011	TORNILLO AUTO ROSCANTE 4.8 X 9.5 L	VIS AUTO FIL 4.8 X 9.5LONG	SCREW AUTO THREADING 4.8 X 9.5 L
12	0/000.460.9046	TORNILLO THEP 6X20	VIS TH EP 6 X 20	SREW TH EP 6 X 20
13	0/000.440.9006	ARANDELA 6X18 DIN 9021	RONDELLE 6 X18X1.5	WASHER 6X18
14	0/000.480.9007	CASQUILLO INOX CARROCEÍA	ENTRETOISE INOX CARROSSERIE	SPACER
15	0/000.460.9043	TORNILLO THEP 6X16	VIS THEP 6X16	SREWTHEP6X16
16	0/000.030.9000	DEPÓSITO	RESERVOIR ESSENCE	FUEL TANK
17	0/000.410.9002	TAPÓN GASOLINA	BOUCHON ESSENCE	FUEL TANK CAP
18	0/000.360.9004	TOPE GOMA DEPÓSITO	BUTÉE PLASTIQUE RESERVOIR	RUBBER TANK HOLDER
19	0/000.480.9017	CASQUILLO SILLÍN DEPÓSITO	FIXATION SELLE RESERVOIR	SPACER SEAT /TANK
20	0/000.290.9009	TUBO RESPIRADERO	DURITE MISE A L'AIR BOUCHON ESSENCE	FUEL LINE
21	0/000.660.9000	PLATINA DEPÓSITO GASOLINA	PLATINA RÉSERVOIR ESSENCE	PLATINA I DEPOSIT GASOLINE
22	0/000.370.9000	GRIFO GASOLINA	ROBINET ESSENCE	FAUCET GASOLINE
23	0/000.460.9047	TORNILLO THEP 6X20	VIS TH EP 6 X 20	SREW TH EP 6 X 20
24	0/000.460.9014	TORNILLO AVELL M6 X 25 DIN 7991	VIS FHC M6 X 25	SCREW FHC M6 X 25
25	0/000.620.9000	PLACA FARO BLANCO	PLAQUE PHARE BLANC	FRONT LIGHT WHITE
26	0/000.980.9005	SOPORTE FARO TRASERO	SUPPORT FEU AR + HOMOL SUP	TAIL LIGHT MOUNTING
27	0/000.460.9048	TORNILLO THEP 6X20	VIS TH EP 6X20	SREW TH EP 6X20
28	0/000.460.9050	TORNILLO THEP 6X30	VIS TH EP 6X30	SREW TH EP 6X30
29	0/000.040.9000	SILLÍN	SELLE	SEAT
30	0/000.460.9060	CIERRE DE SILLIN	FERMETURE DE SELLE	SADDLE CLOSING
31	0/000.440.9018	ARANDELA PLÁSTICO DZUS	RONDELLE PLASTIQUE DZUS	WASHER
32	0/000.440.9020	ARANDELA VEROUILLAGE DZUS	RONDELLE VEROUILLAGE DZUS	DZUS CLIP
33	0/000.460.9012	TORNILLO AUTORROSCANTE 4.2X16	VIS TOLE FIL 4.2X16	SCREW AUTO THREADING 4.2X16
34	0/000.390.9001	JUEGO DE CALCAS	JEU DE GRENIERS	GAME OF GRANARIES



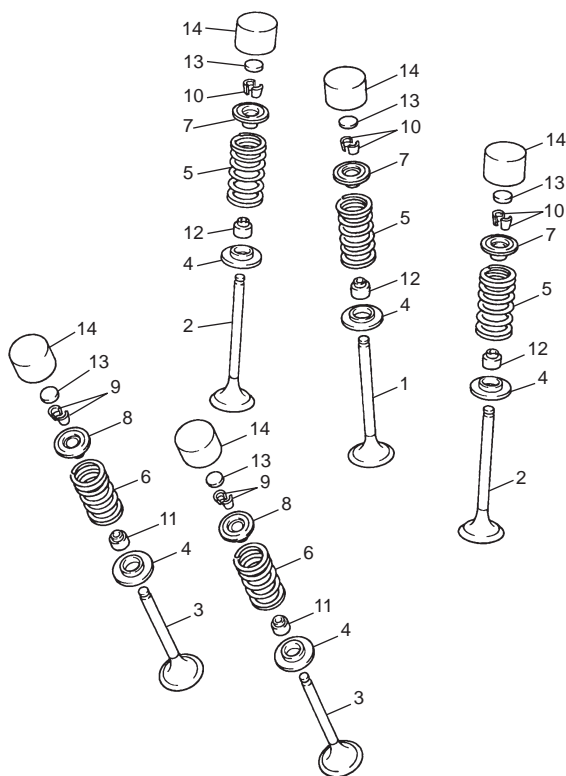
POS.	REF.	ESPAÑOL	FRANÇAIS	ENGLISH
36	0/000.410.9000	TAPÓN	BUOCHON	CAP
37	0/000.360.0173	ELÁSTICO PLACA FARO	ELASTIC PLAQUE PHARE	HEADLIGHT RUBBER MOUNT
38	0/000.710.9001	GUÍA LATIGUILLO NYLON	GUIDE DURITE NYLON	FRONT BRAKE LINE CLIP
39	0/000.460.9017	TORNILLO CHAPA 2,9X9,5	VIS TOLE 2,9X9,5	SCREW TOLE 2,9X9,5
40	0/000.980.9006	SOPORTE GUÍA LATIGUILLO	SUPPORT GUIDE DURITE	BRAKE HOSE SUPPORT
41	0/000.440.9016	ARANDELA M6 DIN 9021	RONDELLE M6 DIN 9021	WASHER M6 DIN 9021
42	0/000.220.9007	PROTECTOR TÉRMICO	PROTECTOR THERMIQUE	THERMIC PROTECTOR



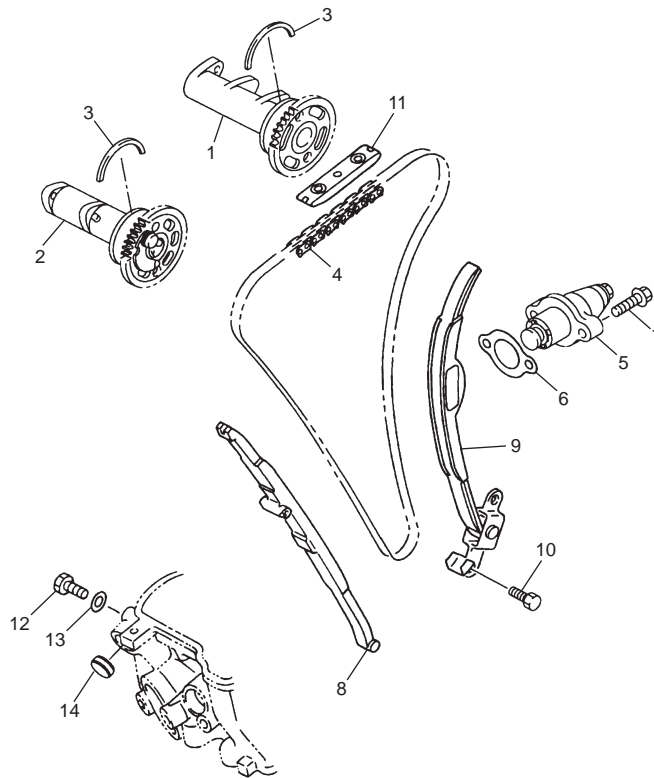
POS.	REF.	ESPAÑOL	FRANÇAIS	ENGLISH
1	0/006.450.0001	CULATA COMPLETA	CULASSE COMPLETE	CYLINDER HEAD ASSY
2	0/006.450.0002	GUÍA DE VÁLVULA	GUIDE VALVE	GUIDE VALVE 1
3	0/006.450.0003	GUÍA DE VÁLVULA	GUIDE VALVE 2	GUIDE VALVE 2
4	0/006.450.0004	CLIP DE SEGURIDAD	CIRCLIP	CIRCLIP
5	0/006.450.0005	TORNILLO TAPA VÁLVULA	VIS COUVERCLE VALVE	BOLT FLANGE
6	0/006.450.0006	TORNILLO TOPE VÁLVULA	VIS DE BUTE VALVE	PLUG STRAIGHT SCREW
7	0/006.450.0007	CASQUILLO GUÍA	DOUILLE GUIDE	PIN DOWEL
8	0/006.450.0008	TORNILLO	VIS	BOLT FLANGE
9	0/006.450.0009	JUNTA TORNILLO	JOINT DE VIS	GASKET
10	0/006.450.0010	ESPÁRRAGO CULATA	TIGE FIXATION CULASSE	BOLT STUD
11	0/006.450.0011	ESPÁRRAGO CULATA	TIGE FIXATION CULASSE	BOLT STUD
12	0/006.450.0012	TUERCA	ECROU	NUT FLANGE
13	0/226.001.0004	BUJIA NJK R CR8E	BUJII NJK R CR8E	PLUG SPARK NGK R CR8E
14	0/006.450.0014	JUNTA CULATA	JOINT DE CULASSE	GASKET CYLINDER HEAD 1
15	0/006.450.0015	TORNILLO EJE DE CULATA	VIS AXE DE CULASSE	BOLT FLANGE
16	0/006.450.0016	TORNILLO EJE DE CULATA	VIS AXE DE CULASSE	BOLT FLANGE
17	0/006.450.0017	ARANDELA TORNILLO	RONDELLE VIS	WASHER PLATE
18	0/006.450.0018	TAPA SUPERIOR CULATA	PLAQUE SUPERIEUR CULASSE	COVER CYLINDER HEAD 1
19	0/006.450.0019	RACORD RESPIRADERO	RACCORD MISE A L'AIR	PIPE BREATHER 2
20	0/006.450.0020	TORNILLO	VIS	BOLT
21	0/006.450.0021	TAPÓN GOMA TORNILLO	BOUCHON JOINT DE VIS	RUBBER MOUNT 1
22	0/006.450.0022	RACORD RESPIRADERO	RACCORD MISE A L'AIR	PIPE BREATHER 2
23	0/006.450.0023	RACORD RESPIRADERO	RACCORD MISE A L'AIR	PIPE BREATHER 2
24	0/006.450.0024	TUBO MANGUITO CULATA	TUBE MANCHETTE CULASSE	HOSE (L285)
25	0/006.450.0025	CLIP SEGURIDAD	CLIP DE SECURITE	CLIP
26	0/006.450.0026	CLIP SEGURIDAD	CLIP DE SECURITE	CLIP
27	0/006.450.0027	JUNTA CULATA SUPERIOR	JOINT DE CULASSE SUPERIEUR	GASKET HEAD COVER
28	0/006.450.0028	CILINDRO SOLO	CYLINDRE SEUL	CYLINDER
29	0/006.450.0029	JUNTA CILINDRO	JOINT DE CYLINDRE	GASKET CYLINDER
30	0/006.450.0030	TUERCA	ECROU	NUT
31	0/006.450.0031	PIN DOWEL	DOUILLE GUIDE	CASQUILLO GUIA
32	0/006.450.0032	TORNILLO CILINDRO	VIS CYLINDRE	BOLT FLANGE



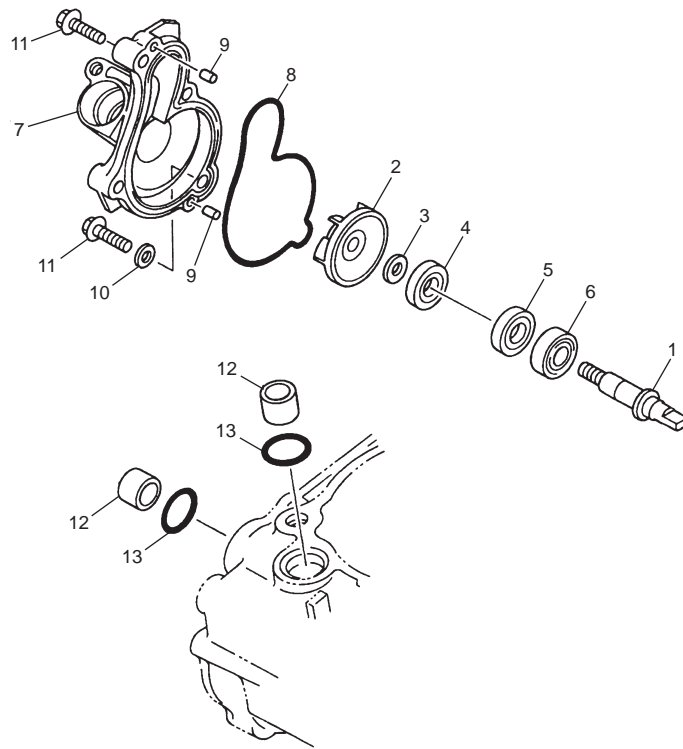
POS.	REE.	ESPAÑOL	FRANÇAIS	ENGLISH
1	0/006.450.0033	CIGÜEÑAL COMPLETO	VILEBREQUIN COMPLET	CRANKSHAFT ASSY
7	0/006.450.0034	RODAMIENTO CIGÜEÑAL	ROULEMENT DE VILEBREQUIN	BEARING
8	0/006.450.0035	PIÑÓN CIGÜEÑAL	PIGNON VILEBREQUIN	GEAR DRIVE
9	0/006.450.0036	EJE BALANCE	AXE BALANCE	SHAFT 1
10	0/006.450.0037	CONTRAPESO	CONTRE POIDS	WEIGHT
11	0/006.450.0038	PIÑÓN EJE BALANCE	PIGNON AXE BALANCE	GEAR BALANCE WEIGHT
12	0/006.450.0039	TORNILLO CONTAPESO	VIS DE CONTRE POIDS	SCREW
13	0/006.450.0040	RODAMIENTO CONTRAPESO	ROULEMENT CONTRE POIDS	BEARING
14	0/006.450.0041	RODAMIENTO AGUJAS	ROULEMENT AIGUILLE	BEARING
15	0/006.450.0042	TUERCA EJE BALANCE	ECROU AXE BALANCE	NUT
16	0/006.450.0043	ARANDELA SEGURIDAD	RONDELLE DE SECURITE	WASHER NUT
17	0/006.450.0044	CHAVETA CIGÜEÑAL	CLAVETTE VILEBREQUIN	KEY WOODRUFF
18	0/006.450.0045	PISTÓN SOLO	PISTON SEUL	PISTON
19	0/006.450.0046	JUEGO SEGMENTOS PISTÓN	JEU DE SEGMENT PISTON	PISTON RING SET
20	0/006.450.0047	BULÓN PISTÓN	BOULON DE PISTON	PIN PISTON
21	0/006.450.0048	CIRCLIP PISTÓN	CIRCLIP PISTON	CIRCLIP



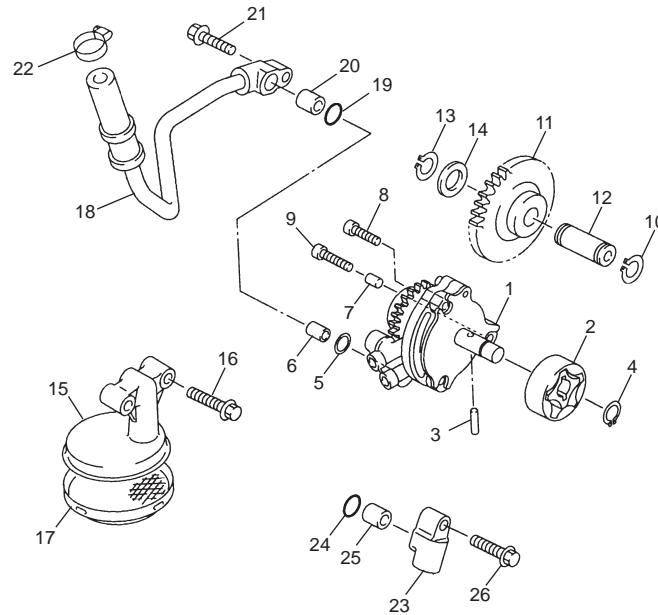
POS.	REE.	ESPAÑOL	FRANÇAIS	ENGLISH
1	0/006.450.0049	VÁLVULA ADMISIÓN CENTRAL	SOUPAPE ADMISSION CENTRALE	VALVE INTAKE
2	0/006.450.0050	VÁLVULA ADMISIÓN	SOUPAPE ADMISSION	VALVE INTAKE 2
3	0/006.450.0051	VÁLVULA ESCAPE	SOUPAPE D'ÉCHAPPEMENT	VALVE EXHAUST
4	0/006.450.0052	RETÉN VÁLVULA ADMISIÓN SUPERIOR	SPY VALVE ADMISSION SUPERIEUR	SEAT VALVE SPRING 2
5	0/006.450.0053	MUELLE VÁLVULA ADMISIÓN	RESSORT VALVE ADMISSION	SPRING VALVE INNER
6	0/006.450.0054	MUELLE VÁLVULA ESCAPE	RESSORT VALVE ECHAPPEMENT	SPRING VALVE OUTER
7	0/006.450.0055	RETÉN DE VÁLVULA	JOINT SPY SOUPAPE	RETAINER VALVE SPRING
8	0/006.450.0056	RETÉN DE VÁLVULA	JOINT SPY SOUPAPE	RETAINER VALVE SPRING
9	0/006.450.0057	PRESILLA RETÉN VÁLVULA	COTTER VALVE SPY	COTTER VALVE
10	0/006.450.0058	PRESILLA RETÉN VÁLVULA	COTTER VALVE SPY	COTTER VALVE
11	0/006.450.0059	RETENEDOR VÁLVULA	SEAL VALVE STEM	SEAL VALVE STEM
12	0/006.450.0060	RETENEDOR VÁLVULA	SEAL VALVE STEM	SEAL VALVE STEM
13	0/006.450.0061	TOPE AJUSTADOR VÁLVULA	BUTE AJUSTABLE VALVE	PAD.ADJUSTING (1,20)
14	0/006.450.0062	TOPE DE VÁLVULA	BUTE DE VALVE	LIFTER VALVE



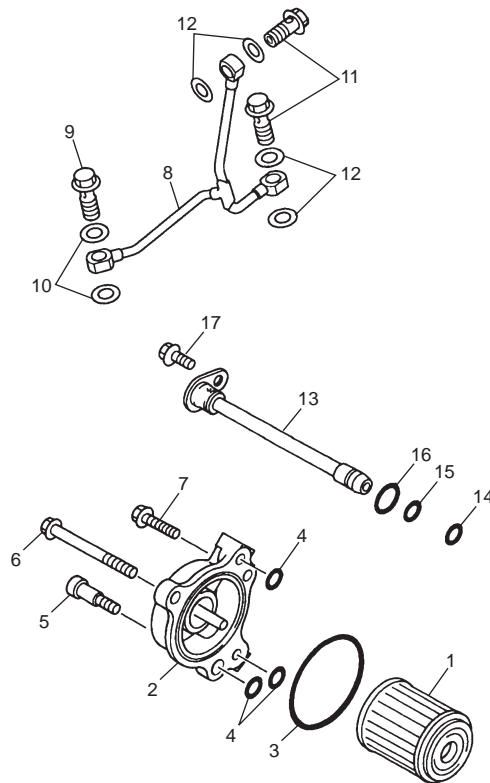
POS.	REF.	ESPAÑOL	FRANÇAIS	ENGLISH
1	0/006.450.0063	ARBOL DE LEVAS (1)	ARBRE A CAMES	CAMSHAFT ASSY
2	0/006.450.0064	ARBOL DE LEVAS (2)	ARBRE A CAMES	CAMSHAFT ASSY
3	0/006.450.0065	CIRCLIP ARBOL DE LEVAS	CIRCLIP ARBRES	CIRCLIP
4	0/006.450.0066	CADENA DISTRIBUCIÓN	CHAINE DE DISTRIBUTION	CIRCLIP
5	0/006.450.0067	TENSOR CADENA	TENDEUR CHAINE	TENSIONER ASSY CAM CHAIN
6	0/006.450.0068	JUNTA TENSOR CADENA	JOINT TENDEUR CHAINE	GASKET TENSIONER
7	0/006.450.0069	TORNILLO TENSOR CADENA	VIS TENDEUR CHAINE	BOLT FLANGE
8	0/006.450.0070	GUÍA CADENA (1)	GUIDE CHAINE	DAMPER CHAIN (1)
9	0/006.450.0071	GUÍA CADENA (2)	GUIDE CHAINE	DAMPER CHAIN (2)
10	0/006.450.0072	TORNILLO	VIS	BOLT STOPPER
11	0/006.450.0073	TORNILLO GUÍA CADENA	VIS GUIDE CHAINE	BOLT STOPPER
12	0/006.450.0074	TORNILLO	VIS	BOLT
13	0/006.450.0075	GASKET	JOINT	JUNTA
14	0/006.450.0076	TAPÓN	BOUCHON	PLUG



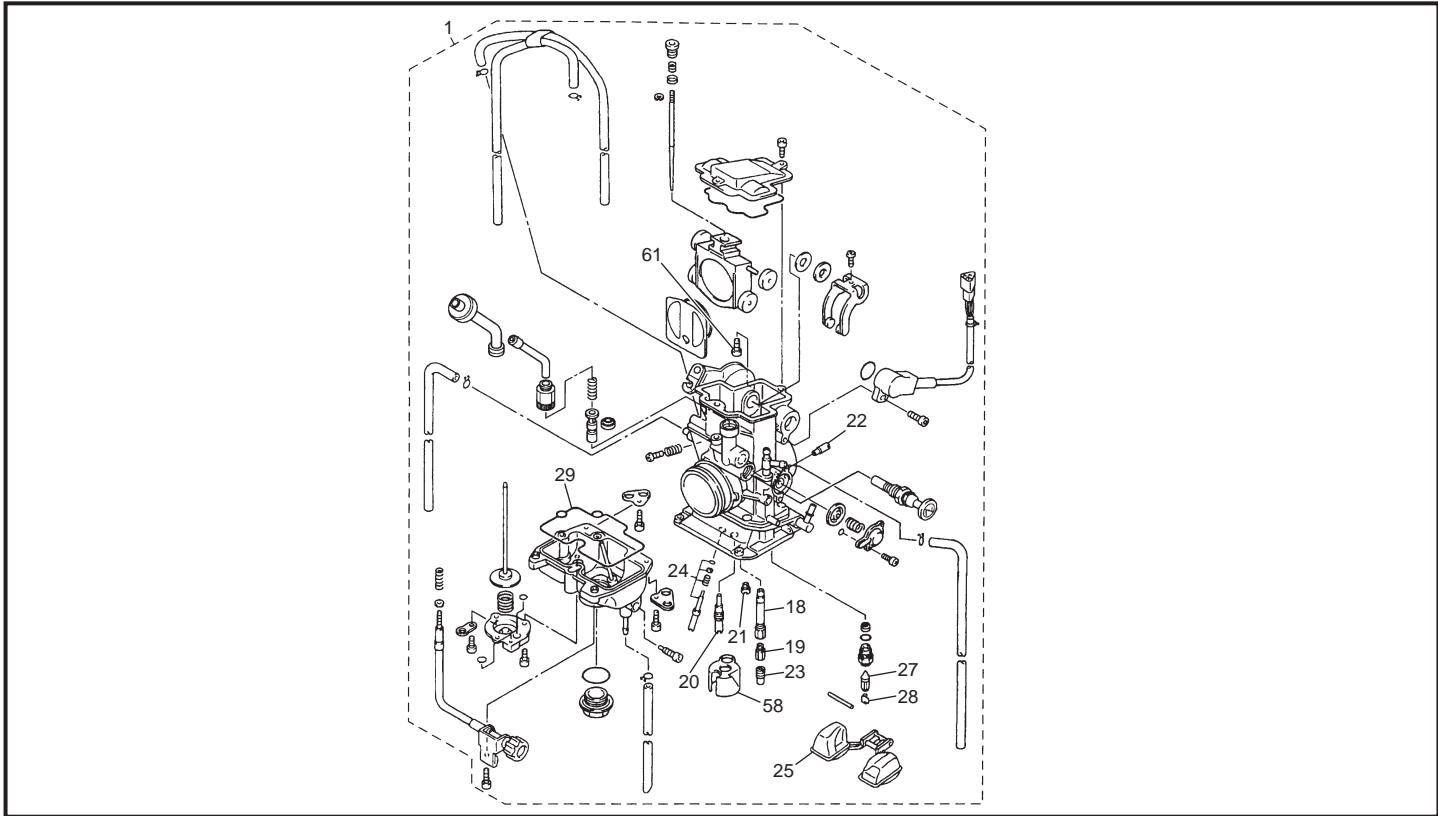
POS.	REF.	ESPAÑOL	FRANÇAIS	ENGLISH
1	0/006.450.0077	EJE DE BOMBA AGUA	AXE DE POMPE A EAU	SHAFT IMPELLER
2	0/006.450.0078	PERNO DE BOMBA	IMPULSEUR DE POMPE	IMPELLER WATER PUMP
3	0/006.450.0079	ARANDELA PERNO BOMBA	RONDELLE IMPULSEUR POMPE	WASHER PLATE
4	0/006.450.0080	RETÉN BOMBA AGUA	SPY POMPE A EAU	OIL SEAL
5	0/006.450.0081	RETÉN BOMBA AGUA(SD 12-22-5-HS)	SPY POMPE A EAU (SD 12-22-5-HS)	OIL SEAL
6	0/006.450.0082	RODAMIENTO BOMBA AGUA B6001	ROULEMENT POMPE A EAU B6001	BEARING B6001
7	0/006.450.0083	TAPA CUERPO BOMBA AGUA	COUVERCLE CORP POMPE A EAU	COVER HOUSING
8	0/006.450.0084	JUNTA TÓRICA	JOINT TORIQUE	O-RING
9	0/006.450.0085	CASQUILLO GUÍA CUERPO BOMBA	DOUILLE GUIDE CORP POMPE	PIN DOWEL
10	0/006.450.0086	ARANDELA	RONDELLE	GASKET
11	0/006.450.0087	TORNILLO	VIS	BOLT FLANGE
12	0/006.450.0088	TAPÓN GUÍA	BOUCHON GUIDE	PIPE WATER
13	0/006.450.0089	JUNTA TÓRICA TAPÓN GUÍA	JOINT TORIQUE DU BOUCHON GUIDE	O-RING



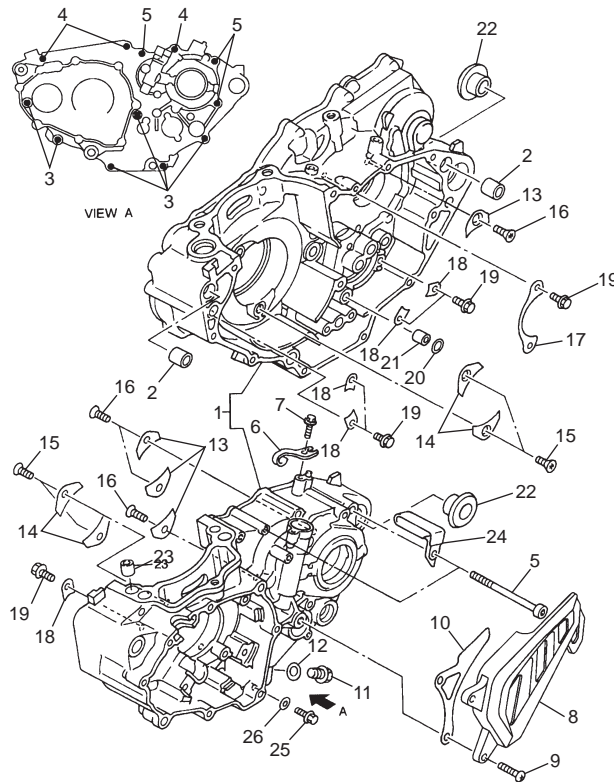
POS.	REF.	ESPAÑOL	FRANÇAIS	ENGLISH
1	0/006.450.0090	BOMBA ACEITE	POMPE A HUILE	OIL PUMP ASSY
2	0/006.450.0091	ROTOR BOMBA ACEITE	ROTOR POMPE A HUILE	ROTOR ASSY 2
3	0/006.450.0092	PASADOR	PASSEUR	PIN DOWEL
4	0/006.450.0093	CIRCLIP SEGURIDAD	CIRCLIP DE SECURITE	CIRCLIP
5	0/006.450.0094	JUNTA TÓRICA	JOINT TORIQUE	O-RING
6	0/006.450.0095	CASQUILLO GUÍA BOMBA ACEITE	DOUILLE GUIDE POMPE A HUILE	PIN DOWEL
7	0/006.450.0096	CASQUILLO GUÍA BOMBA ACEITE	DOUILLE GUIDE POMPE A HUILE	PIN DOWEL
8	0/006.450.0097	TORNILLO BOMBA ACEITE	VIS POMPE A HUILE	BOLT HEXAGON SOCKET HEAD
9	0/006.450.0098	TORNILLO BOMBA ACEITE	VIS POMPE A HUILE	BOLT
10	0/006.450.0099	CIRCLIP SEGURIDAD	CIRCLIP DE SECURITE	CIRCLIP
11	0/006.450.0100	PIÑÓN BOMBA ACEITE	PIGNON POMPE A HUILE	GEAR OIL PUMP IDLE
12	0/006.450.0101	EJE PIÑÓN BOMBA ACEITE	AXE PIGNON POMPE A HUILE	SHAFT, IDLE GEAR
13	0/006.450.0102	CIRCLIP SEGURIDAD	CIRCLIP DE SECURITE	CIRCLIP
14	0/006.450.0103	ARANDELA SEPARADOR	RONDELLE	WASHER PLATE
15	0/006.450.0104	TAPA FILTRO ACEITE	COUVERCLE FILTRE A HUILE	HOUSING STRAINER
16	0/006.450.0105	TORNILLO TAPA	VIS DE COUVERCLE	BOLT FLANGE
17	0/006.450.0106	FILTRO ACEITE	FILTRE A HUILE	STRAINER OIL
18	0/006.450.0107	TUBO DE ACEITE (1)	TUBE A HUILE	HOSE OIL (1)
19	0/006.450.0108	JUNTA TÓRICA	JOINT TORIQUE	O-RING
20	0/006.450.0109	SEPARADOR TUBO ACEITE	SEPARATEUR TUBE HUILE	PIN DOWEL
21	0/006.450.0110	TORNILLO TUBO ACEITE	VIS DE TUBE	BOLT FLANGE
22	0/006.450.0111	ABRAZADERA TUBO ACEITE	GUIDE SERRAGE TUBE HUILE	HOSE CLAMP ASSY
23	0/000.350.9007	TAPÓN ANULACIÓN SALIDA ACEITE	BOUCHON ANNULATION SORTIE HUILE	CORK CANCELLATION EXIT OIL
24	0/006.450.0114	JUNTA TÓRICA	JOINT TORIQUE	O-RING
25	0/006.450.0115	CASQUILLO GUÍA BOMBA ACEITE	DOUILLE GUIDE POMPE A HUILE	PIN DOWEL
26	0/006.450.0116	TORNILLO TUBO ACEITE	VIS TUBE HUILE	BOLT FLANGE



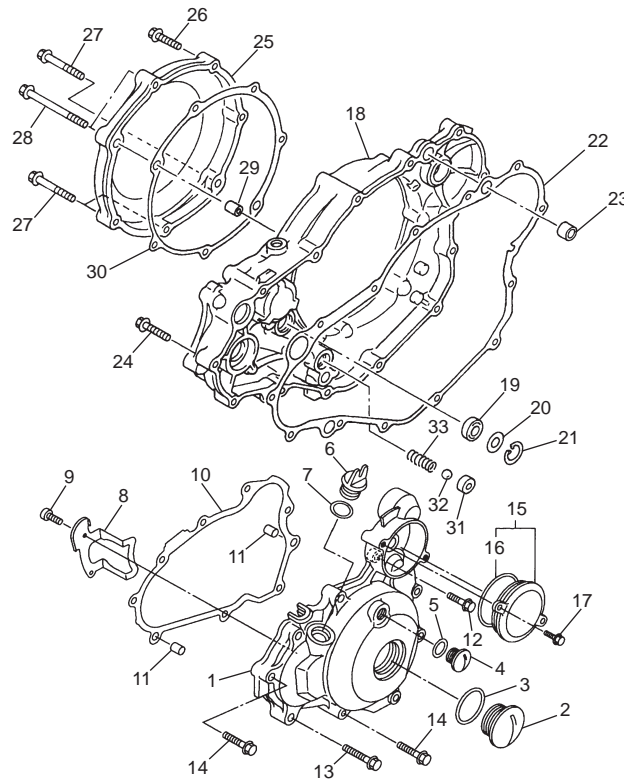
POS.	REE.	ESPAÑOL	FRANÇAIS	ENGLISH
1	0/006.450.0117	ELEMENTO FILTRANTE	ELEMENTS FILTRANT	ELEMENT ASSY OIL CLEANER
2	0/006.450.0118	CUERPO TAPA ELEMENTO FILTRANTE	CORP PLAQUE ELEMENT FILTRANT	COVER OIL ELEMENT
3	0/006.450.0119	JUNTA FILTRO ACEITE	JOINT DE FILTRE A HUILE	O-RING
4	0/006.450.0120	JUNTA TÓRICA	JOINT TORIQUE	O-RING
5	0/006.450.0121	TORNILLO CUERPO ACEITE	VIS CORP HUILE	BOLT
6	0/006.450.0122	TORNILLO CUERPO ACEITE	VIS CORP HUILE	BOLT FLANGE
7	0/006.450.0123	TORNILLO CUERPO ACEITE	VIS CORP HUILE	BOLT FLANGE
8	0/006.450.0124	TUBO ACEITE (1)	TUBE HUILE	PIPE DELIVERY 1
9	0/006.450.0125	TORNILLO TUBO ACEITE	VIS TUBE HUILE	BOLT UNION
10	0/006.450.0126	ARANDELA TORNILLO TUBO ACEITE	RONDELLE VIS TUBE HUILE	GASKET
11	0/006.450.0127	TORNILLO ÚNIO TUBO ACEITE	VIS UNION TUBE HUILE	BOLT UNION
12	0/006.450.0128	ARANDELA	RONDELLE	GASKET
13	0/006.450.0129	TUBO GUÍA ACEITE	TUBE GUIDE HUILE	PIPE DELIVERY (2)
14	0/006.450.0130	JUNTA TÓRICA	JOINT TORIQUE	O-RING
15	0/006.450.0131	JUNTA TÓRICA	JOINT TORIQUE	O-RING
16	0/006.450.0132	JUNTA TÓRICA	JOINT TORIQUE	O-RING
17	0/006.450.0133	TORNILLO	VIS	BOLT-FLANGE



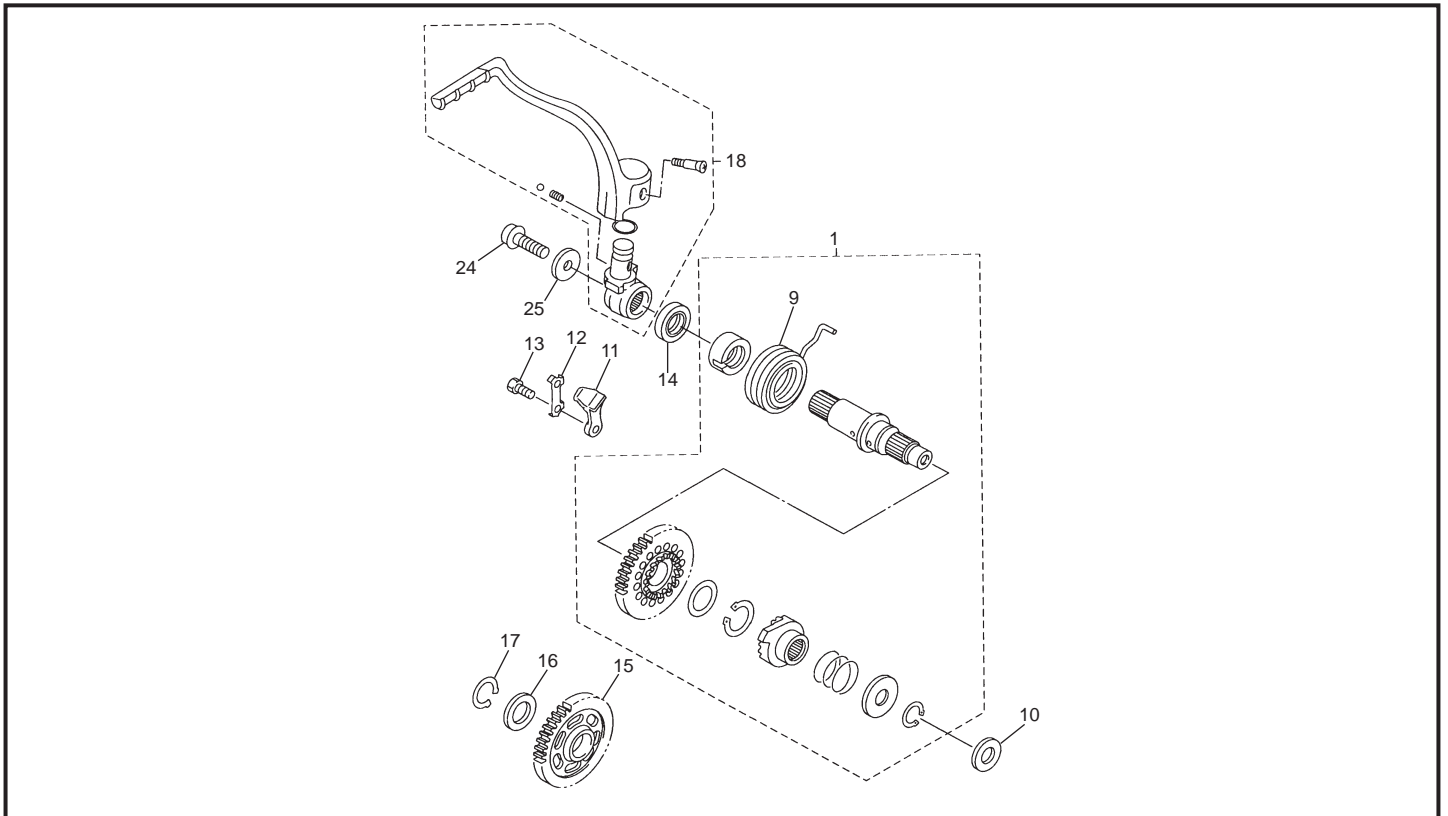
POS.	REF.	ESPAÑOL	FRANÇAIS	ENGLISH
1	0/006.450.0134	CARBURADOR COMPLETO	CARBURATEUR COMPLET	CARBURETOR ASSY 1
19	0/006.450.0135	SURTIDOR (165)	JET MAIN (165)	JET MAIN (165)
20	0/006.450.0136	SURTIDOR (45)	JET MAIN (45)	JET MAIN (45)
21	0/006.450.0137	SURTIDOR (65)	JET SLOW (65)	JET SLOW (65)
25	0/006.450.0138	FLOTADOR	FLOTEUR	FLOAT
27	0/006.450.0139	AJUJA FLOTADOR	VALVE AIGUILLE FLOTEUR	VALVE NEEDLE



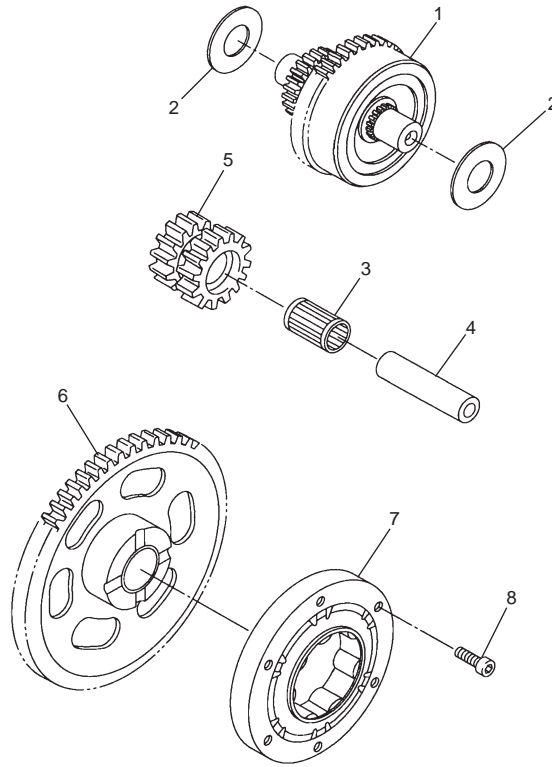
POS.	REF.	ESPAÑOL	FRANÇAIS	ENGLISH
1	0/006.450.0140	JUEGO DE CÁRTER	JEU DE CARTER	CRANKCASE ASSY
2	0/006.450.0141	CASQUILLO CÁRTER	DOUILLE CARTER	PIN DOWEL
3	0/006.450.0142	TORNILLO INTERIOR CÁRTER	VIS INTERIEUR CARTER	BOLT
4	0/006.450.0143	TORNILLO INTERIOR CÁRTER	VIS INTERIEUR CARTER	BOLT
5	0/006.450.0144	TORNILLO INTERIOR CÁRTER	VIS INTERIEUR CARTER	BOLT
6	0/006.450.0145	GUÍA DE CABLE	GUIDE DE CABLE	HOLDER CLUTCH CABLE
7	0/006.450.0146	TORNILLO GUÍA DE CABLE	VIS GUIDE DE CABLE	BOLT FLANGE
8	0/006.450.0147	TAPA PROTECTOR PIÑÓN SALIDA	COUVERCLE PROTECTEUR PIGNON SORTIE	COVER CRANKCASE 2
9	0/006.450.0148	TORNILLO TAPA PROTECTOR PIÑÓN	VIS COUVERCLE PROTECTEUR PIGNON	SCREW PAN HEAD
10	0/006.450.0149	PROTECTOR CARTER CADENA	CARTER PROTECTEUR CHAINE	GUIDE CHAIN
11	0/006.450.0150	TORNILLO INFERIOR CARTER	VIS INFERIEUR CARTER	BOLT FLANGE
12	0/006.450.0151	JUNTA TORNILLO	JOINT DE VIS	GASKET
13	0/006.450.0152	PLACA RODAMIENTOS INTERNOS	PLAQUE DE ROULEMENT INTERNE	PLATE BEARING COVER
14	0/006.450.0153	PLACA RODAMIENTOS INTERNOS	PLAQUE DE ROULEMENT INTERNE	PLATE BEARING COVER
15	0/006.450.0154	TORNILLO	VIS	SCREW
16	0/006.450.0155	TORNILLO	VIS	SCREW
17	0/006.450.0156	GUÍA INTERNA CARTER	GUIDE INTERIEUR CARTER	PLATE COVER
18	0/006.450.0157	GUÍA TAPÓN INTERNO	GUIDE BOUCHON INTERNE	PLATE STOPPER 2
19	0/006.450.0158	TORNILLO	VIS	BOLT FLANGE
20	0/006.450.0159	JUNTA TÓRICA	JOINT TORIQUE	O-RING
21	0/006.450.0160	CASQUILLO SEPARADOR	DOUILLE SEPARATEUR	PIN DOWEL
22	0/006.450.0161	CASQUILLO CARTER EXT.	DOUILLE CARTER EXT.	COLLAR
23	0/006.450.0162	CASQUILLO SEPARADOR	DOUILLE SEPARATEUR	PIN DOWEL
24	0/006.450.0163	GUÍA DE CABLES MOTOR	GUIDE DE CABLE MOTEUR	CLAMP
25	0/006.450.0164	TORNILLO	VIS	BOLT FLANGE
26	0/006.450.0165	JUNTA TORNILLO	JOINT TORIQUE	GASKET



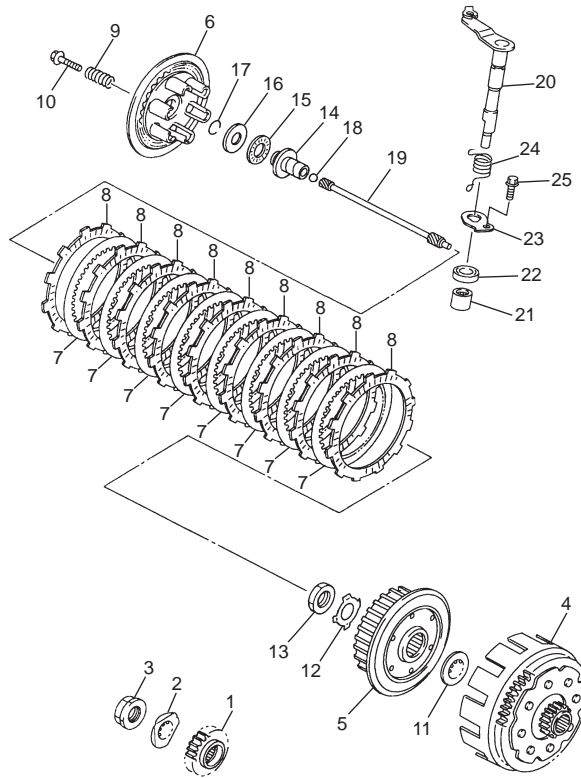
POS.	REE.	ESPAÑOL	FRANÇAIS	ENGLISH
1	0/006.450.0166	TAPA VOLANTE	COUVERCLE VOLANT	COVER CRANKCASE 1
2	0/006.450.0167	TAPÓN GRANDE TAPA VOLANTE	GRAND BOUCHON COUVERCLE VOLANT	PLUG STRAIGHT SCREW
3	0/006.450.0168	JUNTA TAPÓN	JOINT DE BOUCHON	O-RING
4	0/006.450.0169	TAPON PEQUEÑO TAPA VOLANTE	PETIT BOUCHON DU COUVERCLE VOLANT	PLUG STRAIGHT SCREW
5	0/006.450.0170	JUNTA TAPÓN PEQUEÑO	JOINT DU PETIT BOUCHON	O-RING
6	0/006.450.0171	TAPÓN LLENADO ACEITE	BOUCHON PLEIN D'HUILE	PLUG OIL
7	0/006.450.0172	JUNTA TAPÓN ACEITE	JOINT BOUCHON HUILE	O-RING
8	0/006.450.0173	SOPORTE GUÍA INTERNA TAPA VOLANTE	SUP GUIDE INTERNE DE COUVERCLE VOLANT	CLAMP
9	0/006.450.0174	TORNILLO SOPORTE	VIS SUPPORT	BOLT
10	0/006.450.0175	JUNTA TAPA VOLANTE	JOINT COUVERCLE VOLANT	GASKET CRANKASE
11	0/006.450.0176	CASQUILLO INTERNO CÁRTER	DOUILLE INTERNE CARTER	PIN DOWEL
12	0/006.450.0177	TORNILLO	VIS	BOLT FLANGE
13	0/006.450.0178	TORNILLO TAPA VOLANTE	VIS COUVERCLE VOLANT	BOLT FLANGE
14	0/006.450.0179	TORNILO TAPA VOLANTE	VIS COUVERCLE VOLANT	BOLT FLANGE
15	0/006.450.0180	TAPA SUPERIOR TAPA VOLANTE	COUVERCLE SUPERIEUR VOLANT	COVER ASSY
16	0/006.450.0181	JUNTA TAPA SUPERIOR	JOINT COUVERCLE SUPERIEUR	O-RING
17	0/006.450.0182	TORNILLO	VIS	BOLT FLANGE
18	0/006.450.0183	TAPA EMBRAGUE	COUVERCLE EMBRAYAGE	COVER CRANKCASE 1
19	0/006.450.0184	RETÉN ACEITE	JOINT SPY HUILE	OIL SEAL
20	0/006.450.0185	ARANDELA SEPARADOR	RONDILLE SEPARATEUR	WASHER PLATE
21	0/006.450.0186	CIRCLIP SEGURIDAD	CIRCLIP DE SECURITE	CIRCLIP
22	0/006.450.0187	JUNTA TAPA EMBRAGUE	JOINT COUVERCLE D'EMBRAYAGE	GASKET CRANKASE
23	0/006.450.0188	CASQUILLO INTERNO CARTER	DOUILLE INTERNE CARTER	PIN DOWEL
24	0/006.450.0189	TORNILLO	VIS	BOLT FLANGE
25	0/006.450.0190	TAPA MOTOR IZQUIERDA	PLAQUE GAUCHE MOTEUR	COVER GENERATOR
26	0/006.450.0191	TORNILLO	VIS	BOLT FLANGE
27	0/006.450.0192	TORNILLO	VIS	BOLT FLANGE
28	0/006.450.0193	TORNILLO	VIS	BOLT FLANGE
29	0/006.450.0194	CASQUILLO CARTER	DOUILLE CARTER	PIN DOWEL
30	0/006.450.0195	JUNTA TAPA MOTOR	JOINT PLAQUE MOTEUR	GASKET
31	0/006.450.0196	TOPE DE BOLA INTERNA	BUTE DE BOULE INTERNE	SEAT CHECK BALL
32	0/006.450.0197	BOLA	BOULE	BALL
33	0/006.450.0198	MUELLE COMPRESIÓN BOLA	RESSORT DE COMPRESSION BOULE	SPRING COMPRESSION



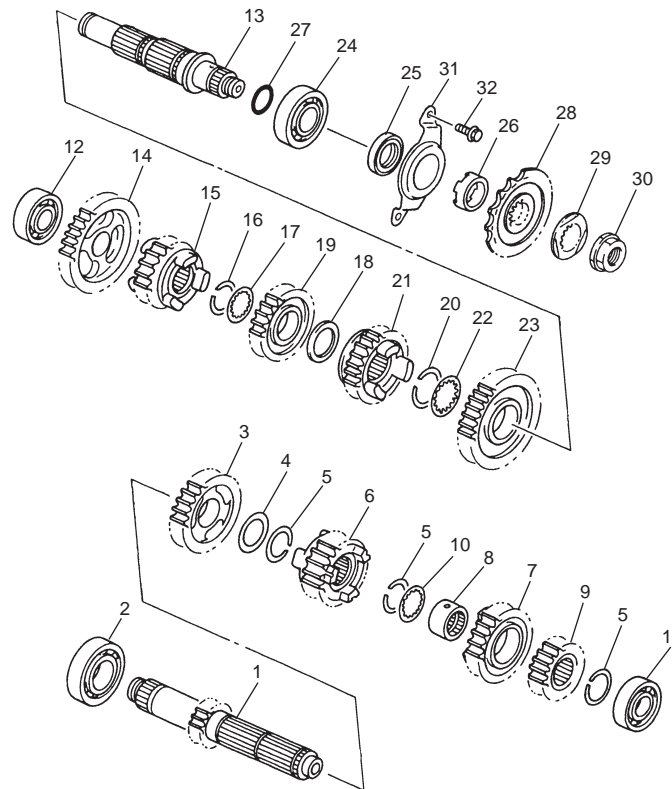
POS.	REF.	ESPAÑOL	FRANÇAIS	ENGLISH
1	0/006.450.0199	EJE ARRANQUE COMPLETO	AXE DEMARREUR COMPLET	KICK SHAFT ASSY
9	0/006.450.0200	MUELLE ARRANQUE	RESSORT DEMARREUR	SPRING TORSION
10	0/006.450.0201	ARANDELA SEPARADOR	RONDELLE SEPARATEUR	WASHER PLATE
11	0/006.450.0202	PLATINA	PLATINE	STOPPER
12	0/006.450.0203	SELLADOR	SERRAGE FERMETURE	WASHER LOCK
13	0/006.450.0204	TORNILLO	VIS	BOLT
14	0/006.450.0205	RETÉN EJE ARRANQUE	SPY AXE DE DEMARREUR	OIL SEAL
15	0/006.450.0206	PIÑÓN ARRANQUE	PIGNON DEMARRAGE	GEAR KICK IDLE
16	0/006.450.0207	ARANDELA SEPARADOR PIÑON	RONDELLE SEPARATEUR PIGNON	WASHER PLATE
17	0/006.450.0208	CIRCLIP	CIRCLIP	CIRCLIP
18	0/006.450.0209	PEDAL ARRANQUE COMPLETO	KICK COMPLET	KICK CRANK ASSY
24	0/006.450.0210	TORNILLO PEDAL ARRANQUE	VIS KICK	BOLT HEXAGON SOCKET
25	0/006.450.0211	ARANDELA PEDAL ARRANQUE	RONDELLE KICK	WASHER PLATE



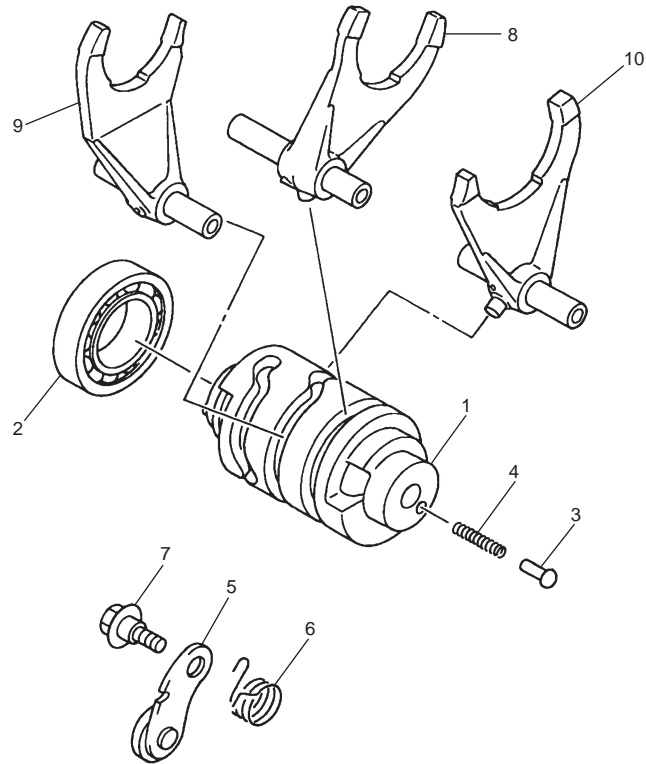
POS.	REF.	ESPAÑOL	FRANÇAIS	ENGLISH
1	0/006.450.0212	PIÑÓN EMBRAGUE ARRANQUE	PIGNON D'EMBRAYAGE DE DEMARREUR	DAMPER ASSY
2	0/006.450.0213	ARANDELA EMBRAGUE	RONDELLE D'EMBRAYAGE	WASHER PLATE
3	0/006.450.0214	RODAMIENTO AGUJAS	ROULEMENT AIGUILLE	BEARING
4	0/006.450.0215	BULÓN	BOULON	SHAFT
5	0/006.450.0216	PIÑÓN DOBLE	PIGNON DOUBLE	GEAR IDLER
6	0/006.450.0217	PIÑÓN GRANDE EMBRAGUE ARRANQUE	GRAND PIGNON D'EMBRAYAGE DEMARREUR	GEAR 3
7	0/006.450.0218	EMBRAGUE ARRANQUE	DEMARREUR D'EMBRAYAGE	STARTER ONE-WAY ASSY
8	0/006.450.0219	TORNILLO	VIS	BOLT HEXAGON SOCKET HEAD



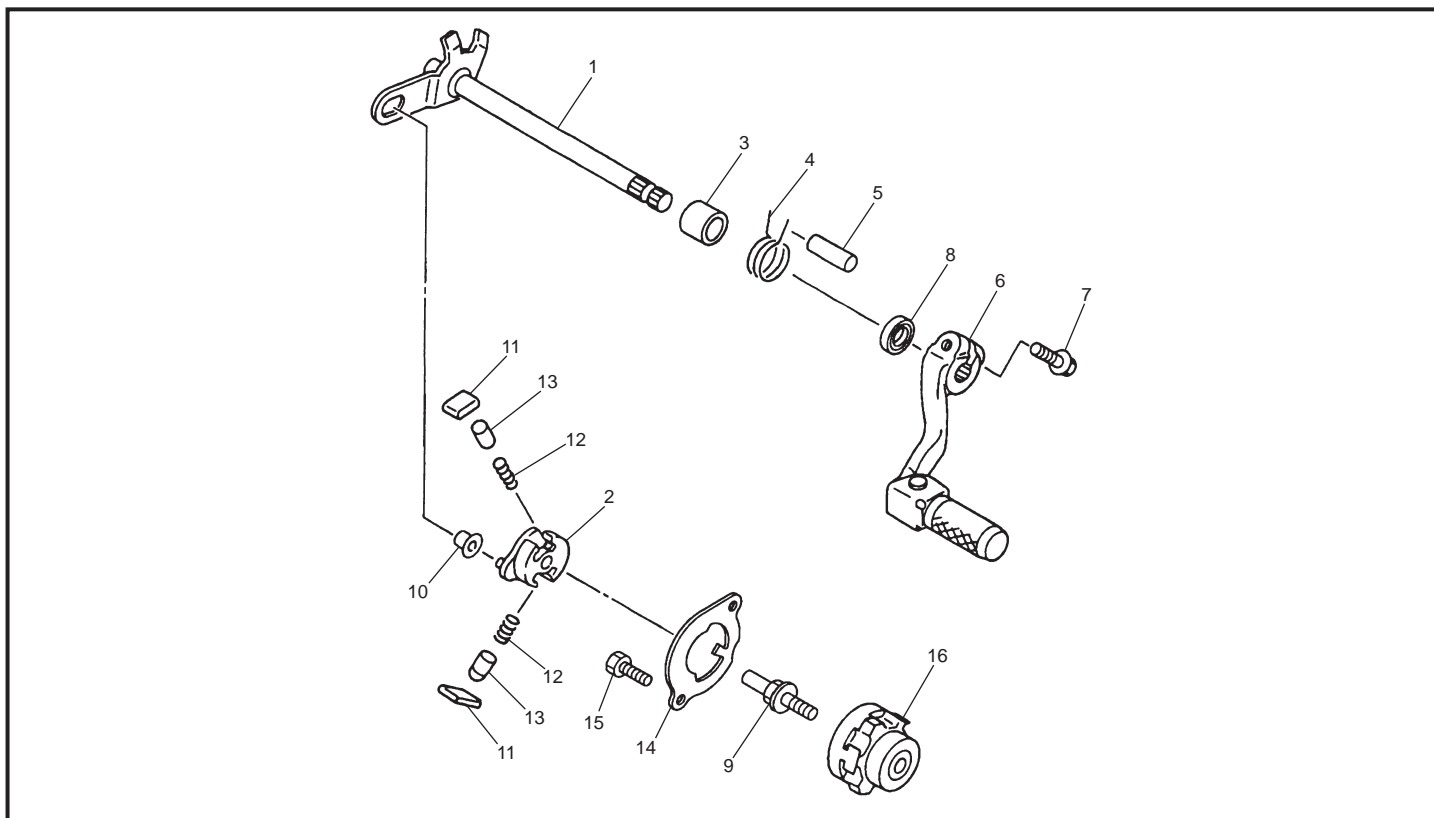
POS.	REE.	ESPAÑOL	FRANÇAIS	ENGLISH
1	0/006.450.0220	PIÑÓN PRIMARIO EMBRAGUE	PIGNON PRIMAIRE EMBRAYAGE	GEAR PRIMARY DRIVE
2	0/006.450.0221	ARANDELA TRINQUETE	RONDELLE LOCK	WASHER LOCK
3	0/006.450.0222	TUERCA	ECROU	NUT
4	0/006.450.0223	CAMPANA EMBRAGUE	CLOCHE D'EMBAYAGE	PRIMARY DRIVEN GEAR COMPL
5	0/006.450.0224	TAMBOR EMBRAGUE	TAMBOUR D'EMBAYAGE	BOSS CLUTCH
6	0/006.450.0225	DISCO FINAL TAPA	DISQUE FINAL PLAQUE	PLATE PRESSURE
7	0/006.450.0226	DISCO EMBRAGUE METÁLICO (8)	DISQUE D'EMBAYAGE MÉTALLIQUE (8)	PLATE CLUTCH (8)
8	0/006.450.0227	DISCO EMBRAGUE FORRADO (9)	DISQUE D'EMBAYAGE FRICTION (9)	PLATE FRICTION (9)
9	0/006.450.0228	MUELLE EMBRAGUE	RESSORT D'EMBAYAGE	SPRING COMPRESSION
10	0/006.450.0229	TORNILLO MUELLE EMBRAGUE	VIS RESSORT D'EMBAYAGE	SCREW WITH WASHER
11	0/006.450.0230	SEPADOR INTERNO CAMPANA EMB.	SEPARATEUR INTERNE CLOCHE EMB.	PLATE THRUST 1
12	0/006.450.0231	ARANDELA SELLADOR	RONDELLE LOCK	WASHER LOCK
13	0/006.450.0232	TUERCA	VIS	NUT
14	0/006.450.0233	TOPE EMPUJADOR VARILLA EMBR,	BUTE POUSSOIR EMBRAYAGE	ROD PUSH
15	0/006.450.0234	RODAMIENTO EMBRAGUE	ROULEMENT EMBRAYAGE	BEARING
16	0/006.450.0235	ARANDELA	RONDELLE	WASHER PLATE
17	0/006.450.0236	CIRCLIP	CIRCLIP	CIRCLIP
18	0/006.450.0237	BOLA EMBRAGUE	BOULE EMBRAYAGE	BALL
19	0/006.450.0238	VARILLA EMPUJE EMBRAGUE	POUSSOIR D'EMBAYAGE	ROD PUSH 2
20	0/006.450.0239	LEVA EMBRAGUE	ARBRE D'EMBAYAGE	PUSH LEVER COMPL.
21	0/006.450.0240	RODAMIENTO	ROULEMENT ARBRE	RODAMIENTO LEVA EMBRAGUE
22	0/006.450.0241	RETÉN LEVA EMBRAGUE	SPY ARBRE D'EMBAYAGE	OIL SEAL
23	0/006.450.0242	PLATINA LEVA EMBRAGUE	PLATINE ARBRE D'EMBAYAGE	PLATE SEAT
24	0/006.450.0243	MUELLE LEVA EMBRAGUE	RESSORT ARBRE D'EMBAYAGE	SPRING TORSION
25	0/006.450.0244	TORNILLO	VIS	BOLT FLANGE



POS.	REE.	ESPAÑOL	FRANÇAIS	ENGLISH
1	0/006.450.0245	ARBOL PRIMARIO	ARBRE PRIMAIRE	AXLE MAIN
2	0/006.450.0246	RODAMIENTO	ROULEMENT	BEARING
3	0/006.450.0247	PIÑÓN DE 5º	PIGNON DE 5 ^{eme}	GEAR 5TH
4	0/006.450.0248	SEPARADOR PIÑÓN	SEPARATEUR PIGNON	WASHER PLATE
5	0/006.450.0249	CIRCLIP	CIRCLIP	CIRCLIP
6	0/006.450.0250	PIÑÓN 3º	PIGNON 3º	GEAR 3RD
7	0/006.450.0251	PIÑÓN 4º	PIGNON 4º	GEAR 4TH
8	0/006.450.0252	DOLLA CAMBIO	DOUILLE DE BOITE	COLLAR
9	0/006.450.0253	PIÑÓN DE 2º	PIGNON 2º	GEAR 2ND
10	0/006.450.0254	ARANDELA CAMBIO	RONDELLE DE BOITE	WASHER
11	0/006.450.0255	RODAMIENTO CAMBIO	ROULEMENT DE BOITE	BEARING
12	0/006.450.0256	RODAMIENTO	ROULEMENT	BEARING
13	0/006.450.0257	ARBOL SECUNDARIO	ARBRE SECONDAIRE	DRIVE AXLE ASSY
14	0/006.450.0258	PIÑÓN 1º	PIGNON 1º	GEAR 1ST
15	0/006.450.0259	PIÑÓN 5º SECUNDARIO	PIGNON 5º SECONDAIRE	GEAR 5TH WHEEL
16	0/006.450.0260	CIRCLIP	CIRCLIP	CIRCLIP
17	0/006.450.0261	ARANDELA CAMBIO	RONDELLE DE BOITE	WASHER
18	0/006.450.0262	ARANDELA SEPARADOR	RONDELLE SEPARATEUR	WASHER PLATE
19	0/006.450.0263	PIÑÓN 3º SECUNDARIO	PIGNON 3º SECONDAIRE	GEAR 3RD WHEEL
20	0/006.450.0264	CIRCLIP	CIRCLIP	CIRCLIP
21	0/006.450.0265	PIÑÓN 4º SECUNDARIO	PIGNON 4º SECONDAIRE	GEAR 4TH WHEEL
22	0/006.450.0266	ARANDELA	RONDELLE	WASHER
23	0/006.450.0267	PIÑÓN 2º SECUNDARIO	PIGNON 2º SECONDAIRE	GEAR 2ND WHEEL
24	0/006.450.0268	RODAMIENTO CAMBIO	ROULEMENT DE BOITE	BEARING
25	0/006.450.0269	RETÉN CAMBIO	SPY DE BOITE	OIL SEAL
26	0/006.450.0270	SEPARADOR INTERNO	SEPARATEUR INTERNE	COLLAR
27	0/006.450.0271	JUNTA TÓRICA	JOINT TORIQUE	O-RING
28	0/006.450.0272	PIÑÓN SALIDA	PIGNON DE SORTIE	SPROCKET DRIVE
29	0/006.450.0273	ARANDELA BLOQUEADOR	RONDELLE DE BLOCAGE	WASHER LOCK
30	0/006.450.0274	TUERCA	ECROU	NUT
31	0/006.450.0275	PLATINA SOPORTE PIÑÓN SALIDA	PLATINE SUPPORT PIGNON DE SORTIE	PLATA COVER
32	0/006.450.0276	TORNILLO PLATINA	VIS PLATINE	BOLT FLANGE



POS.	REF.	ESPAÑOL	FRANÇAIS	ENGLISH
1	0/006.450.0277	ARBOL PRESELECTOR	ARBRE PRESELECTEUR	CAM, SHIFT
2	0/006.450.0278	RODAMIENTO	ROULEMENT	BEARING
3	0/006.450.0279	INTERRUPTOR PUNTO NEUTRO	INTERRUPTEUR NEUTRE	POINT NEUTRAL
4	0/006.450.0280	MUELLE PUNTO NEUTRO	RESSORT NEUTRAL	SPRING COMPRESSION
5	0/006.450.0281	LEVA PRESELECTOR	ARBRE PRESELECTEUR	STOPPER LEVER ASSY
6	0/006.450.0282	MUELLE PRESELECTOR	RESSORT PRESELECTEUR	SPRING TORSION
7	0/006.450.0283	TORNILLO	VIS	BOLT
8	0/006.450.0284	HORQUILLA CAMBIO 1	FOURCHETTE BOITE 1	FORK SHIFT 1
9	0/006.450.0285	HORQUILLA CAMBIO 2	FOURCHETTE BOITE 2	FORK SHIFT 2
10	0/006.450.0286	HORQUILLA CAMBIO 3	FOURCHETTE BOITE 3	FORK SHIFT 3

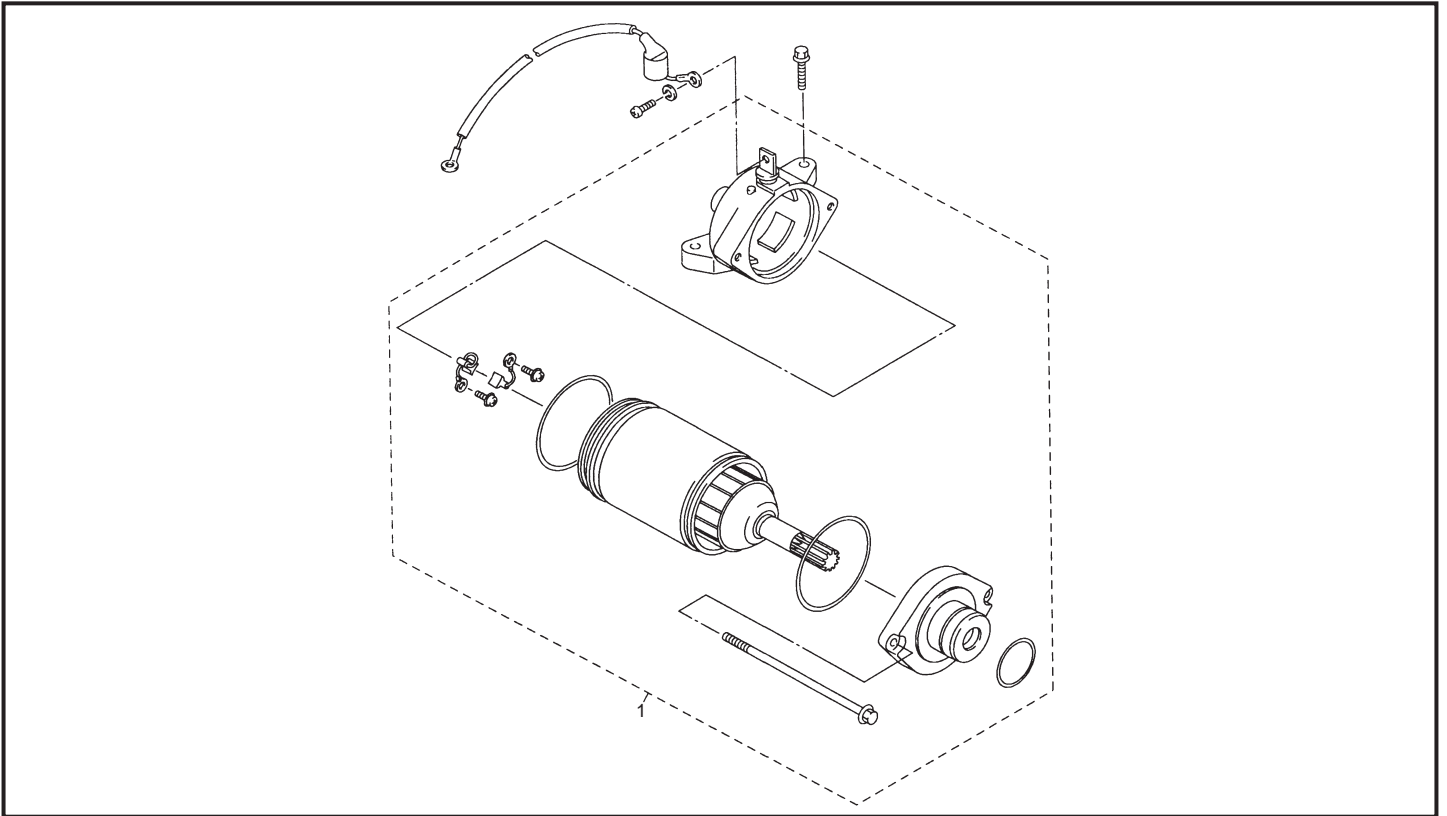


POS.	REF.	ESPAÑOL	FRANÇAIS	ENGLISH
1	0/006.450.0287	EJE SELECTOR	AXE SELECTEUR	SHIFT SHAFT ASSY
2	0/006.450.0288	LEVA EJE SELECTOR	ARBRE AXE SELECTEUR	LEVER SHIFT 2
3	0/006.450.0289	DOLLA EJE SELECTOR	COLLIER AXE SELECTEUR	COLLAR
4	0/006.450.0290	MUELLE EJE SELECTOR	RESSORT AXE SELECTEUR	SPRING TORSION
5	0/006.450.0291	BULÓN PASADOR	BOULON	PIN DOWEL
6	0/006.250.0326	PEDAL DE CAMBIO	PEDALE SELECTEUR	SHIFT PEDAL ASSY
7	0/006.450.0293	TORNILLO PEDAL CAMBIO	VIS PEDALE SELECTEUR	BOLT FLANGE
8	0/006.450.0294	RETÉN PEDAL CAMBIO	SPY PEDALE SELECTEUR	OIL SEAL
9	0/006.450.0295	TORNILLO PASANTE	VIS PASSEUR	PIN SHIFT
10	0/006.450.0296	RODILLO LEVA CAMBIO	ROLLER ARBRE DE CHANGEMENT	ROLLER SHIFT LEVER
11	0/006.450.0297	PLATINA INF LEVA CAMBIO	PLATINE INF. ARBRE DE CHANGEMENT	PAWL SHIFTER
12	0/006.450.0298	MUELLE LEVA CAMBIO	RESSORT DE CHANGEMENT	SPRING COMPRESSION
13	0/006.450.0299	BULÓN PASADOR	BOULON PASSEUR	PIN PAWL
14	0/006.450.0300	JUNTA METÁLICA	JOINT METTALIQUE	GUIDE SHIFT
15	0/006.450.0301	TORNILLO	JOINT MÉTALLIQUE	BOLT
16	0/006.450.0302	RUEDA DENTADA	ROUE DENTELEE	SEGMENT



28

Motor de arranque / Demarreur / Motor assy



POS.	REF.	ESPAÑOL	FRANÇAIS	ENGLISH
1	0/006.450.0303	MOTOR ARRANQUE COMPLETO	DEMARREUR COMPLET	MOTOR ASSY



RIEJU

Telf. +34 / 972500850 Fax +34 / 972506950

RIEJU, S.A. c/.Borrassà, 41

E-17600 FIGUERES, GIRONA (SPAIN)

www.riejumoto.com / e-mail rieju@riejumoto.com